



YOSHIMURA

RESEARCH&DEVELOPMENT OF AMERICA, INC.

5420 DANIELS STREET STE A, CHINO CA., 91710 · (800) 634-9166 · (909) 628-4722 · FAX (909) 591-2198

www.yoshimura-rd.com

RACE SERIES

Qualified Manufacturer Declared "Modified Part"

2017~2019

Kawasaki Z650

2017~2019

Kawasaki Ninja 650

14651AM220 (CF/SS)

14651AM520 (SS/SS)

**Works Finish
Alpha Stainless Steel Full-System**

FOR CLOSED COURSE COMPETITION ONLY; NOT INTENDED FOR STREET USE



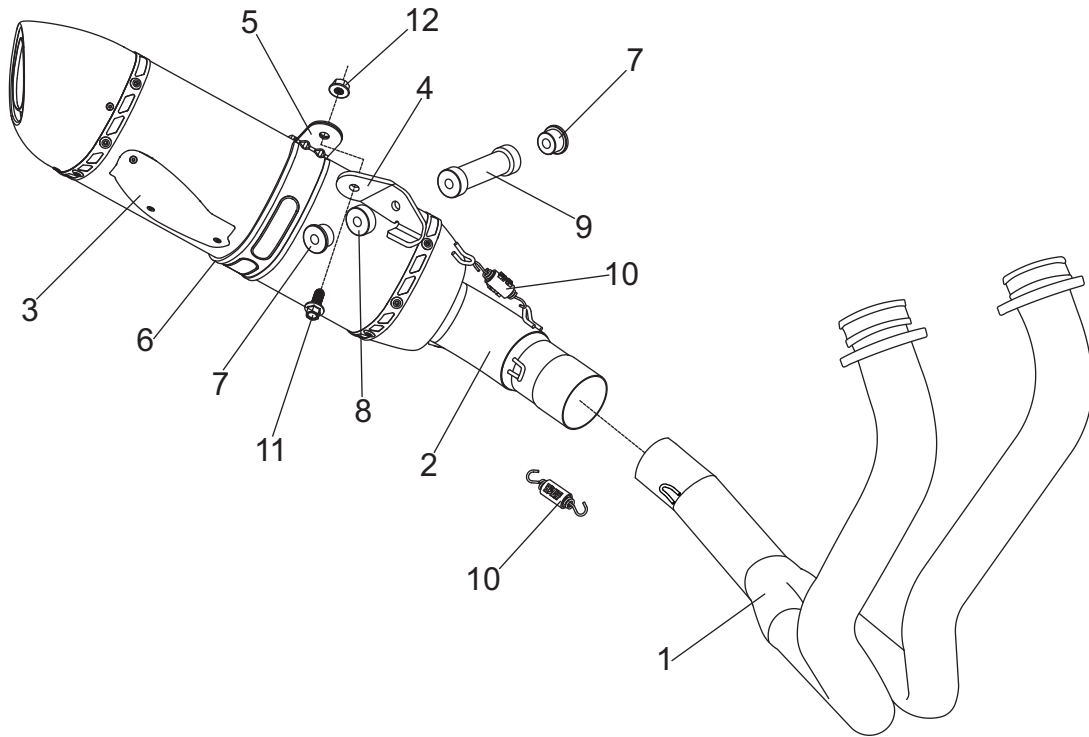
Race Series systems are:

- NOT CARB/EPA tail-pipe emissions compliant.
- NOT street legal.
- For "Closed Course Competition" use only.

✘ You must know how to remove and replace your stock exhaust in order to install this product otherwise have it installed by a professional mechanic. Keep all stock parts from your existing system as some components may be necessary to install your new Yoshimura exhaust depending on the application. Read through all instructions before beginning installation. Exhaust system can be extremely hot. Let motorcycle cool down before beginning installation. Always wear hand and eye protection and take precautionary measures to avoid injury. ✘

NOTE: IN THE STATE OF CALIFORNIA, IT IS ILLEGAL TO MODIFY THE EMISSION CONTROL SYSTEM, WHICH INCLUDES THE CARBURETORS OF ANY VEHICLE.

Assembly Diagram



No.	Item	Description	Qty.
1	14651-401	Yoshimura Header	1
2	14651-421D	Yoshimura Tailpipe	1
3	CRYM5125RAD SRYM5125RAD	Carbon Fiber Muffler Assembly Stainless Steel Muffler Assembly	1
4	14651-MBKT	Muffler Mount Bracket	1
5	MCYM5-GCBX MCYM5-GCBX-X	Muffler Clamp (for CF Sleeve) Muffler Clamp (for SS Sleeve)	1
6	HT SHLDR77	Muffler Clamp Heat Insulator	1
7	14651-SPCR	Aluminum Spacer Collar	2
8	8X10SPC	8mm x 10mm Aluminum Spacer	1
9	8X85SPC	8mm x 85mm Aluminum Spacer	1
10	RACE-SPS-1	Medium Exhaust Spring	3
11	M8X20H	8mm x 20mm Flanged Hex Head Bolt	1
12	8MMNUT	8mm Flange Nut	1
**	INS-20-K	Low Volume Sound Insert	1
**	ST-200	Spring Puller Tool	1
**	17029	Sticker Kit Sheet	1

** Not shown in diagram.

CAUTION: Exhaust system can be extremely hot. Let motorcycle cool down before beginning installation. Always wear hand and eye protection and take precautionary measures to avoid injury.

WARNING: Always properly support vehicle with a stand and/or lift when servicing or performing any work. Unstable vehicles may present dangerous conditions and may cause property damage and/or personal injury.

NOTE: Read through all instructions before beginning installation.

Removal

1. Remove left and right lower cowling. (for Ninja 650 only; for Z650, skip to step 2)
2. Remove the O2 sensor from the stock exhaust system.
3. Remove left side rider footpeg bracket assembly by removing the two footpeg bracket bolts and gently set it down with the shifter assembly attached to the footpeg bracket assembly.

Note: It is not necessary to disassemble or remove shift rod or shifter assembly however the footpeg bracket is required to be removed to remove the muffler bolt.

4. Remove the stock muffler assembly chassis mount bolt.

Note: There is a small opening in the frame where the long muffler bolt will need to be removed from.

5. While securely supporting the stock muffler assembly, remove the header nuts and carefully remove the stock muffler assembly.

Note: The stock exhaust port gasket will be re-used with the Yoshimura system. Inspect and replace if necessary.

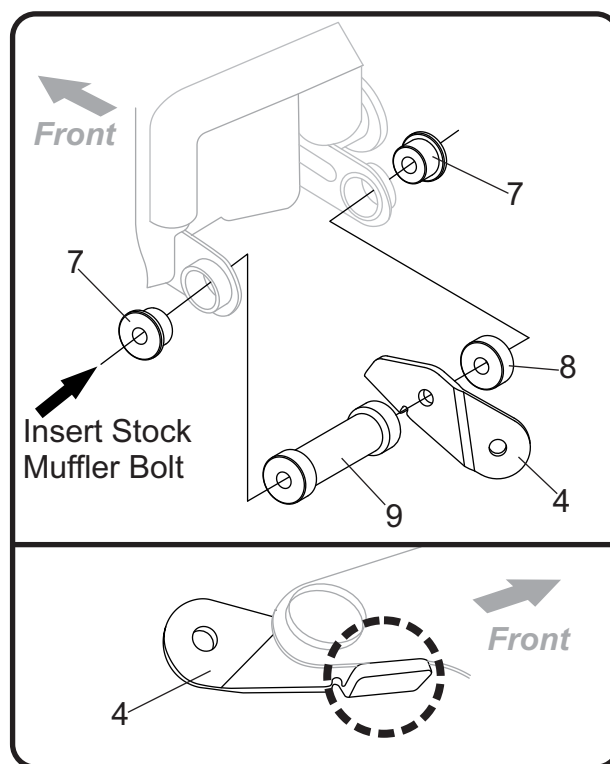
6. Remove the two muffler dampers and collars from frame as they will not be used with the Yoshimura full-system.

Installation

1. Insert (No. 7) 14651-SPCR, aluminum spacer collar into frame as shown.
2. Install (No. 9) 8X85SPC, aluminum spacer, (No. 4) 14651-MBKT, muffler mount bracket, and (No. 8) 8X10SPC, aluminum spacer as shown below. Secure using the stock muffler chassis mount bolt and stock nut. Do not torque at this time.

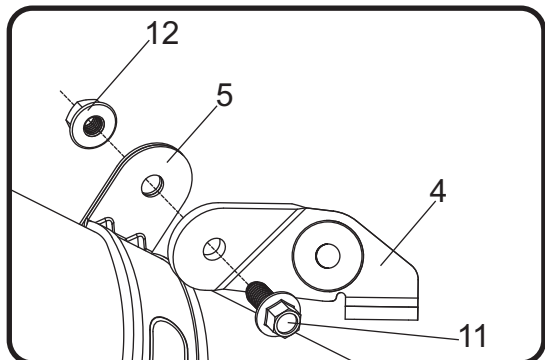
Note¹: The stock muffler chassis mount bolt must be installed from the left side.

Note²: Check to make sure muffler mount bracket tab is below the chassis mount.



3. Install (No. 1) 14651-401, header using the stock header nuts. Do not torque at this time.
4. Install (No. 2) 14651-421D, tailpipe onto (No. 1) 14651-401, header.
5. Install (No. 6) HT SHLDR77, muffler clamp heat insulator onto (No. 5) MCYM5-GCBX/-X, muffler clamp.
6. Slide (No. 5) MCYM5-GCBX/-X, muffler clamp over (No. 3) muffler.

7. Install (No. 3) *muffler*, onto tailpipe outlet and align (No. 5) *MCYM5-GCBX/-X*, muffler clamp to the backside of (No. 4) *14651-MBKT*, muffler mount bracket. Secure using (No. 11) *M8X20H*, 8mm bolt and (No. 12) *8MMNUT*, 8mm flange nut.



8. Torque stock muffler chassis mount bolt to factory specification.
9. Torque (No. 11) *M8X20H*, 8mm bolt to 32.5 Nm (3.25 kg-m, 24 ft-lb).
10. Torque header nuts to factory specification.
11. Install (No. 10) *RACE-SPS-1*, medium exhaust springs between muffler and tailpipe connection and tailpipe to header connection using the supplied *ST-200*, spring puller tool.
12. Re-install the stock O2 sensor into (No. 1) *14651-401*, header and torque to factory specification.
13. Re-install left and right lower fairing.
(for Ninja 650 only)
14. Re-install left side rider footpeg bracket assembly. Torque footpeg bracket bolts to factory specification.
15. Before starting vehicle, check for proper clearance between new exhaust system and rear suspension (i.e. tire, swingarm, brakes, rear shock, and etc.) If any problem is found, please carefully follow through the installation steps again. If problem still persists, please call Yoshimura Tech Department at (800) 634-9166 / in CA (909) 628-4722.

16. It is recommended that the muffler and tailpipe be wiped down with rubbing alcohol to remove oil and fingerprints. This will help prevent tarnishing of the finish after the exhaust is heated up.

Note: After starting vehicle, it is normal for new exhaust system and muffler to emit smoke until oil residue burns off.

Works Finish Care & Maintenance

Before starting vehicle, clean pipe thoroughly using a soft cloth and rubbing alcohol to remove any oil and fingerprints.

The color of the exhaust will change once the system has gone through a heat cycle of 15 minutes or more. Color will vary depending on lean/rich conditions.

Clean using a soft cloth and soap. Do not use abrasive materials as it will scratch the surface.

Surface reconditioning services are available to remove scratches and undesirable discoloration due to extreme heat. Contact Yoshimura Tech Department at (800) 634-9166 / in CA (909) 628-4722 for more information.