



YOSHIMURA

RESEARCH&DEVELOPMENT OF AMERICA, INC.

5420 DANIELS STREET STE A, CHINO CA., 91710 · (800) 634-9166 · (909) 628-4722 · FAX (909) 591-2198

www.yoshimura-rd.com

RACE SERIES

Qualified Manufacturer Declared "Modified Part"

2008~2011 Kawasaki ZX-14

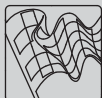
1426202 (CF/CF)

1426205 (SS/CF)

1426207 (Ti/CF)

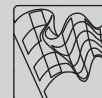
R-77 Stainless Steel Slip-On

FOR CLOSED COURSE COMPETITION ONLY; NOT INTENDED FOR STREET USE



Race Series systems are:

- NOT CARB/EPA tail-pipe emissions compliant.
- NOT street legal.
- For "Closed Course Competition" use only.



You must know how to remove and replace your stock exhaust in order to install this product otherwise have it installed by a professional mechanic. Keep all stock parts from your existing system as some components may be necessary to install your new Yoshimura exhaust depending on the application. Read through all instructions before beginning installation. Exhaust system can be extremely hot. Let motorcycle cool down before beginning installation. Always wear hand and eye protection and take precautionary measures to avoid injury.



NOTE: IN THE STATE OF CALIFORNIA, IT IS ILLEGAL TO MODIFY THE EMISSION CONTROL SYSTEM, WHICH INCLUDES THE CARBURETORS OF ANY VEHICLE.

Caution: *Exhaust system can be extremely hot. Let motorcycle cool down before beginning installation.*

Note: *Read through all instructions before beginning installation.*

Tools Needed:

Metric Socket Set 7/16" Deep Socket 3/8" Ratchet and Extension
Metric Allen Wrench Set Torque Wrench

Installation Steps:

- 1 Remove lower rear cowling to ease removal of stock tailpipes.
- 2 Remove left and right stock mufflers and tailpipes.
- 3 Apply rubber heat insulators to inside of muffler clamps and slide muffler clamps onto mufflers.
- 4 Slide supplied exhaust clamps over Yoshimura tailpipe inlets.
- 5 Install Yoshimura slip-ons using stock hardware (extra large stock muffler mount washers will not be used).

NOTE: Yoshimura muffler clamps mount on the outside of the stock muffler mounting locations. Yoshimura tailpipe brackets mount on the inside of the stock tailpipe mount locations (see Fig. 1).

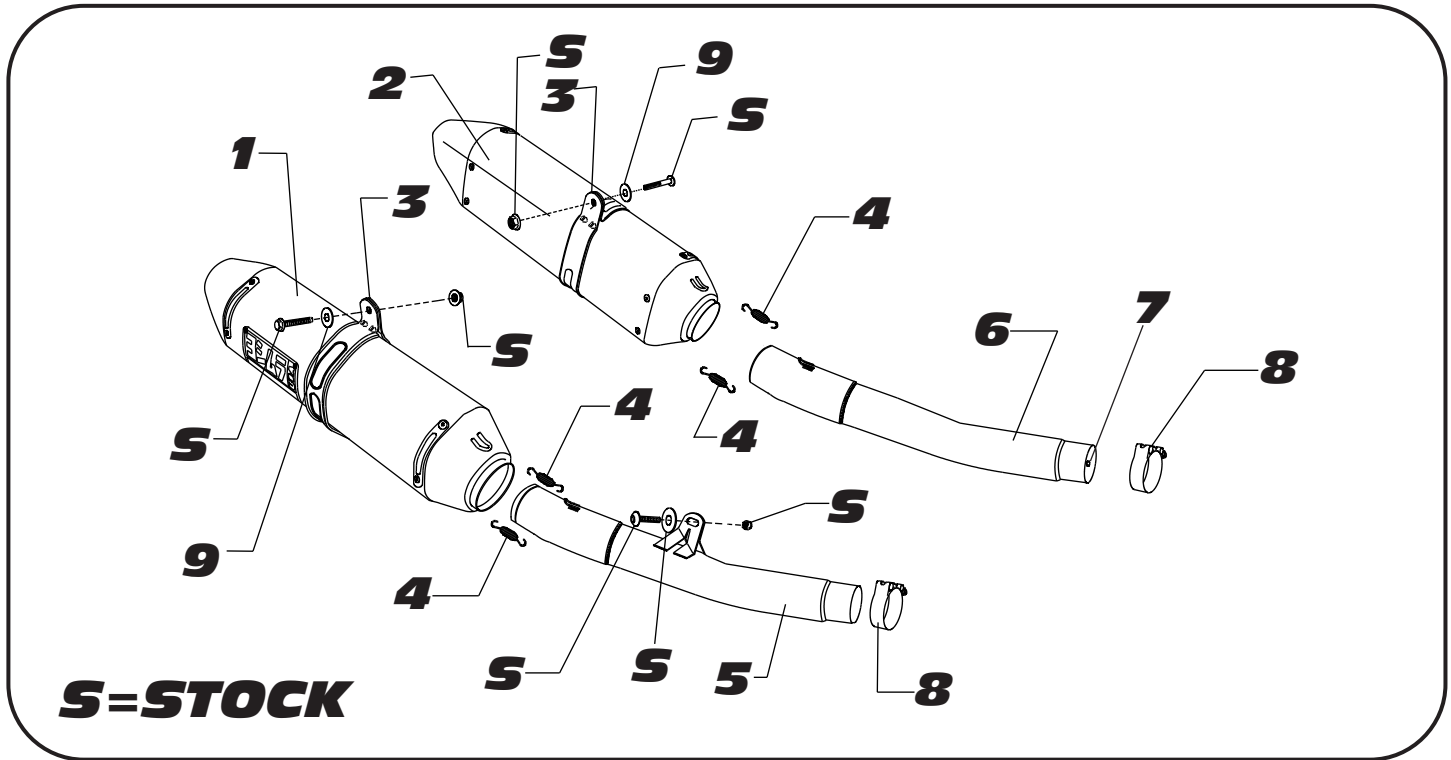
- 6 Torque muffler mounting bolts and tailpipe mounting bolts to 2.5 kgf-m (18 lb-ft).
- 7 Near the inlet of the left Yoshimura tailpipe is a hole. Drill a 13/64" hole in the stock header, using the hole in the left tailpipe as a guide. Install supplied collector rivet so the head of the rivet is flush on the tailpipe. Center the exhaust clamp over the rivet and torque left and right exhaust clamps to 1.1 kgf-m (8.0 lb-ft).
- 8 It is recommended that the entire exhaust system be wiped down with rubbing alcohol to remove oil and fingerprints. This will help prevent tarnishing of the finish after the exhaust is heated up.
- 9 Before starting motorcycle, check for proper clearance between new exhaust system and motorcycle (i.e. swing-arm, fairings etc.). If any problem is found, please carefully follow through the installation steps again. If problem still persists, please call Yoshimura technical department at (800) 634-9166/ in CA (909) 628-4722.

Note: After starting motorcycle, it is normal for new exhaust system to emit smoke until oil residue burns off.



Fig. 1

#142620(2,5,6,7)



Parts Diagram

NO.	DESCRIPTION	QTY	PART #
1	Yoshimura Muffler Assembly (Right Side) with Carbon Fiber Sleeve with Stainless Steel Sleeve with Stainless Steel Sleeve and SS Endcap with Titanium Sleeve	1	CRR77146W SRR77146W SRR77146W-SS TRR77146W
2	Yoshimura Muffler Assembly (Left Side) with Carbon Fiber Sleeve with Stainless Steel Sleeve with Stainless Steel Sleeve & SS Endcap with Titanium Sleeve	1	CRR77146WL SRR77146WL SRR77146WL-SS TRR77146WL
3	Stainless Steel Muffler Clamp Stainless Steel or Titanium Sleeve uses Carbon Fiber Sleeve uses	2	1426-MPCAX 1426-MPCA
4	82mm Race Exhaust Spring	4	RACE-82MM
5	Yoshimura Tailpipe (Right Side)	1	1426-427
6	Yoshimura Tailpipe (Left Side)	1	1426-426
7	Securing Rivet	1	S-RIVET
8	Stainless Steel Exhaust Clamp	2	20063
9	8mm Washer Large	2	8MMWASHERL
**	Yoshimura Sticker Kit Sheet	2	17028-BLK
**	Slotted Heatshield R-77	2	HT SHLDR77