



# YOSHIMURA

RESEARCH&DEVELOPMENT OF AMERICA, INC.

5420 DANIELS STREET STE A, CHINO CA., 91710 · (800) 634-9166 · (909) 628-4722 · FACSIMILE (909) 591-2198

[www.yoshimura-rd.com](http://www.yoshimura-rd.com)

## *Signature Series*

Qualified Manufacturer Declared "Replacement Part"

**2008~2017**

**Suzuki RM-Z450**

**2010~2011**

**Suzuki RMX450Z**

**219200D320 (SS/AL)**

**RS4 Stainless Steel Full-System**



Signature Series systems are:

- CARB/EPA tail-pipe emissions compliant.
- Marked with appropriate EPA noise labels.
- Independent laboratory tested for EPA new vehicle noise compliance.



*You must know how to remove and replace your stock exhaust in order to install this product otherwise have it installed by a professional mechanic. Keep all stock parts from your existing system as some components may be necessary to install your new Yoshimura exhaust depending on the application. Read through all instructions before beginning installation. Exhaust system can be extremely hot. Let motorcycle cool down before beginning installation. Always wear hand and eye protection and take precautionary measures to avoid injury.*



NOTE: IN THE STATE OF CALIFORNIA, IT IS ILLEGAL TO MODIFY THE EMISSION CONTROL SYSTEM, WHICH INCLUDES THE CARBURETORS OF ANY VEHICLE.

**Caution:** Exhaust system may be extremely hot. Let motorcycle cool down before beginning installation.

**Note:** Read through all instructions before beginning installation.

## Tools Needed:

Metric Socket Set  
Ratchet Wrench and Extension  
Torque Wrench  
Spring Puller Tool  
Rotary Cutting Tool

## Installation Steps:

### 1 Stock Exhaust Removal

- a. Remove right rear number plate (see Fig. 1 for fastener locations).
- b. Remove stock muffler (see Fig. 2 for fastener locations).
- c. Remove stock header (see Fig. 3 for fastener locations).
- d. Remove the stock exhaust port gasket and install new stock exhaust port gasket (not included).



Fig. 1

### 2 Install Yoshimura Exhaust

- a. Install Yoshimura header using stock header nuts. Do not tighten header nuts at this time.
- b. Install supplied rubber grommet into aluminum muffler mounting bracket. Install aluminum insert into rubber grommet (make sure shoulder of aluminum insert faces toward the frame, see Fig. 4).
- c. Install Yoshimura tailpipe and muffler onto Yoshimura header.
- d. Trim tail plastic as shown in figure 5. The dotted line shows where the plastic needs to be cut to clear the muffler mounting bracket
- e. Install supplied muffler mount bolt and supplied washer. Install stock chassis mount bolt. Leave loose.
- e. Install Yoshimura heatshield using the supplied heatshield bolts (see Parts Diagram on page 4).

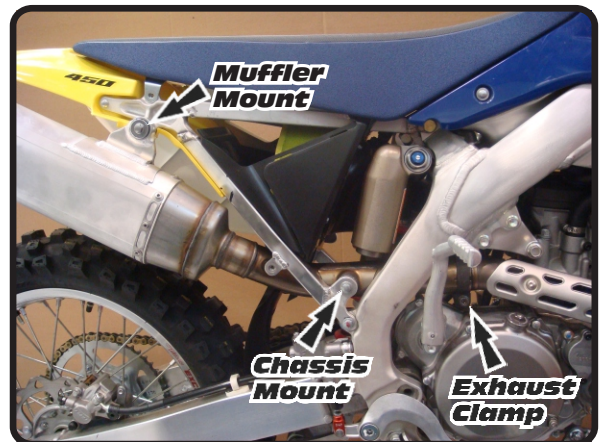


Fig. 2

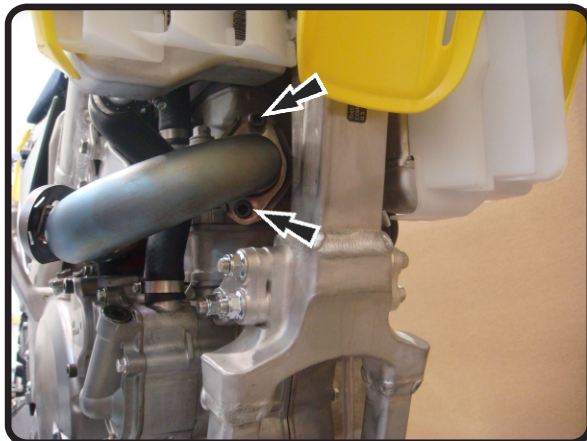


Fig. 3

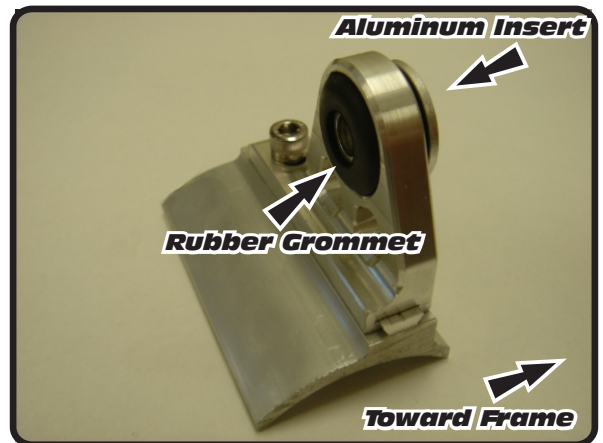
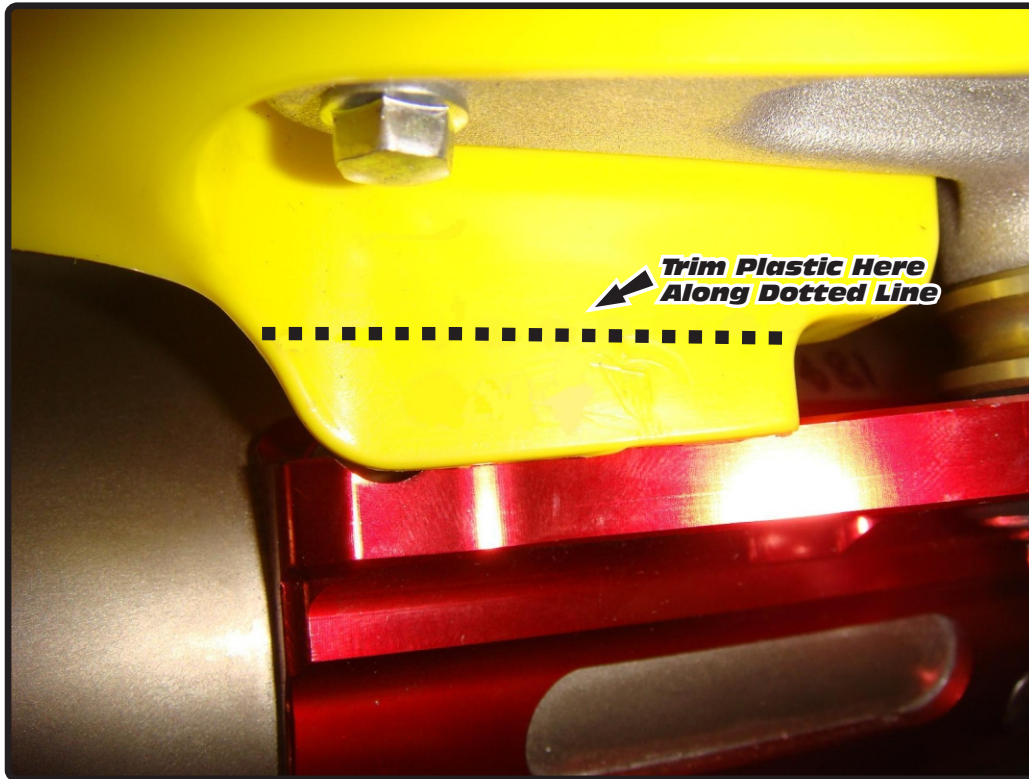


Fig. 4

**Fig. 5**

g. Check exhaust for proper position and clearance and adjust if necessary.

h. Torque header nuts to 1.25 kg-m (9 lb-ft).

i. Torque chassis mount bolt and muffler mount bolt to 2.5 kg-m (18 lb-ft).

j. It is recommended that the muffler and tailpipe be wiped down with rubbing alcohol to remove oil and fingerprints. This will help prevent tarnishing of the finish after the exhaust is heated up.

**NOTE:** Your Yoshimura exhaust system has been designed with weight centralization in mind. Trimming of the number plate is required in order to move the muffler as far forward as possible.

k. Apply the adhesive foil heatshield to the inside of the number plate as shown in figure 6. The adhesive foil heatshield will prevent the numberplate from discoloring and / or melting from the heat coming from the tailpipe and muffler.

### 3 Reinstall

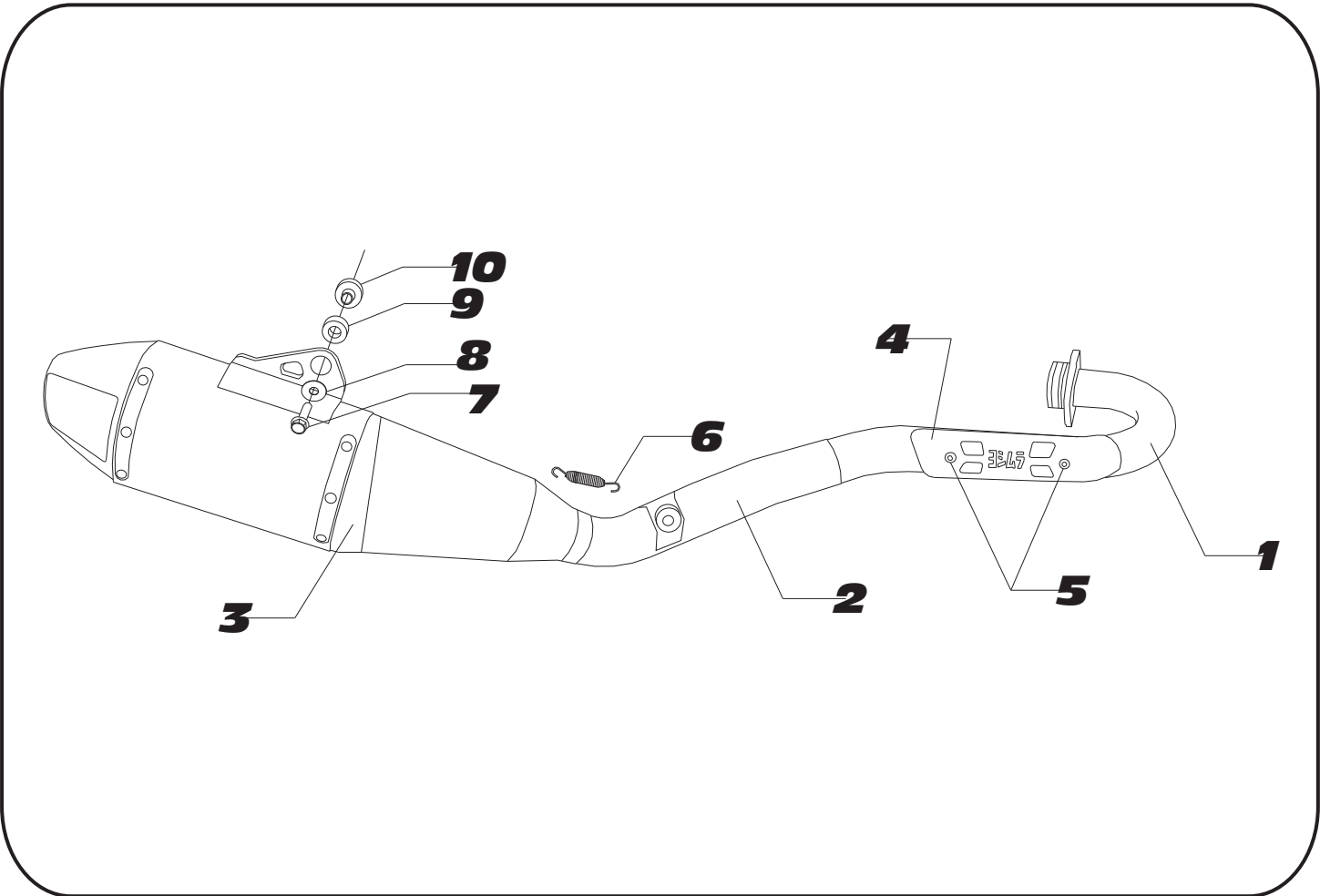
a. Reinstall number plate.

Before starting motorcycle, check for proper clearance between new exhaust system and rear suspension (i.e. tire, swingarm, brake, rear shock, etc). If any problem is found, please carefully follow through the installation steps again. If problem still persists, please call Yoshimura tech department at (800) 634-9166 / in CA (909) 628-4722.

**NOTE:** After starting motorcycle, it is normal for new exhaust system and muffler to emit smoke until oil residue burns off.

**Fig. 6**

**#219200D320**



Parts Diagram

<b>NO.</b>	<b>DESCRIPTION</b>	<b>QTY</b>	<b>PART #</b>
1	Yoshimura Header	1	2191-101
2	Yoshimura Tailpipe	1	2192-144
3	Yoshimura Race Muffler with Aluminum Sleeve	1	219202D320-RMA
4	Yoshimura Header Heatshield	1	2180-HS
5	Header Heatshield Bolts	2	RC116HSB
6	Short Exhaust Spring	1	RACE-SPX-1
7	8mm x 40mm Flange Head Bolt	1	M8X40H
8	8mm Flat Washer, Large	1	8MMWASHERL
9	Muffler Mount Rubber Grommet	1	Z1022
10	Aluminum Insert	1	ALS-010
**	AMA 94dB Sound Insert (Installed)	1	INS-14-K
**	2m-MAX Sound Insert	1	INS-2M28-K
**	Adhesive Foil Heatshield	1	1200-00-01
**	Spring Puller Tool	1	ST-200
**	Yoshimura Vinyl Sticker	1	17029
**	Muffler Wash Plug	1	347PLUG
<b>OPTIONAL REPLACEMENT PARTS</b>			
	Spark Arrestor		SA-04-K
	Re-pack Kit		REPACK-RS4-PK11



# YOSHIMURA

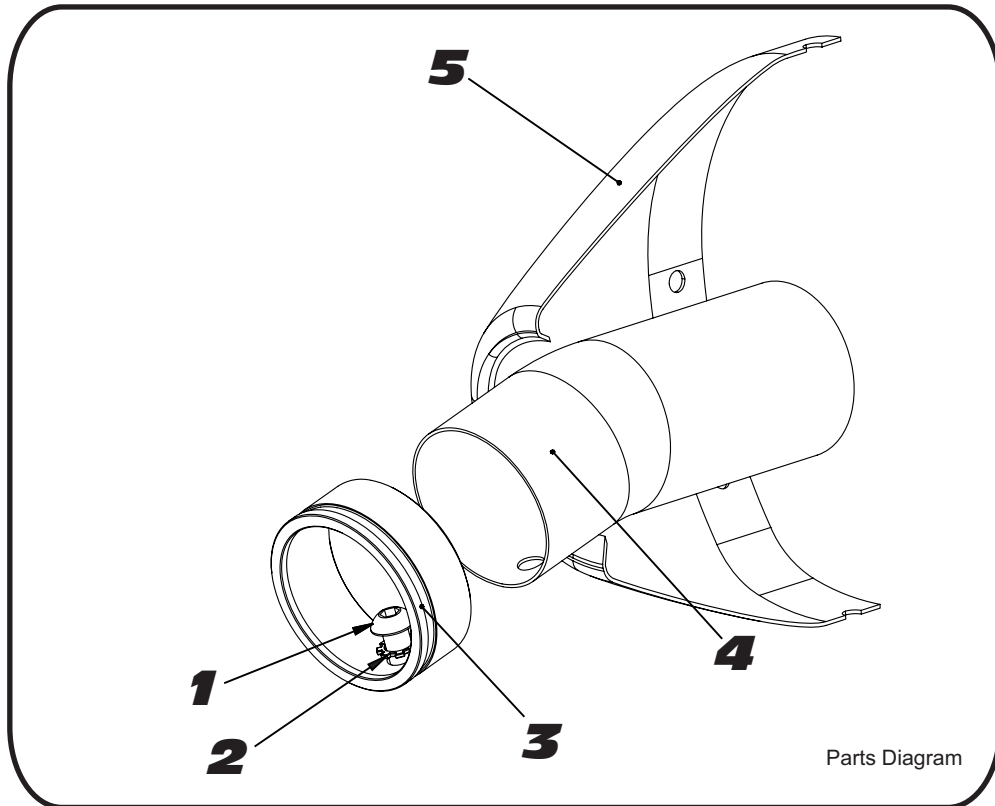
RESEARCH&DEVELOPMENT OF AMERICA, INC.

5420 DANIELS STREET SUITE A, CHINO, CA 91710 · (800)634-9166 · (909)628-4722 · FACSIMILE (909)591-2198

[www.yoshimura-rd.com](http://www.yoshimura-rd.com)

**INS-14-K**

**YOSHIMURA RS4 LOW VOLUME INSERT KIT**



NO.	DESCRIPTION	QTY	PART #
1	6mm X 12mm Button Head Cap Screw	1	M6X12BHS
2	6mm Lock Washer	1	6MMLCKW SHR-TH
3	RS4 Aluminum Insert Ring	1	RS4-RING-1500
4	94 dBA Sound Insert	1	INS-U
5	Yoshimura Exhaust	**	**

- 1 Using a 4mm Allen key, remove the bolt that secures the aluminum ring and sound insert to the muffler (see Parts Diagram for location).
- 2 Remove the sound insert from the muffler.
- 3 Inspect the sound insert for cracks or damage and replace if necessary.
- 4 Re-install sound insert and aluminum ring. Torque the sound insert securing bolt to 1.0 kg-m (7.3 lb-ft).  
**NOTE:** It is recommended that a low strength "Loc-tite" is used on the sound insert securing bolt.