



YOSHIMURA

RESEARCH & DEVELOPMENT OF AMERICA, INC.

5420 DANIELS STREET STE A, CHINO CA., 91710 · (800)634-9166 · (909)628-4722 · FACSIMILE (909)591-2198

www.yoshimura-rd.com

YOSHIMURA PERFORMANCE EXHAUST SYSTEM

**KAWASAKI
2006-2007
ZX-10R**

1416465

TRS RACE STAINLESS STEEL BOLT-ON SYSTEM



ACTUAL PRODUCT MAY VARY FROM IMAGES.



THIS PRODUCT IS DESIGNED FOR USE IN CLOSED COURSE RACING AND IS NOT INTENDED FOR HIGHWAY USE.



NOTE: IN THE STATE OF CALIFORNIA, IT IS ILLEGAL TO MODIFY THE EMISSION CONTROL SYSTEM. WHICH INCLUDES THE CARBURETORS OF ANY VEHICLE.

Caution: *Exhaust system can be extremely hot. Let motorcycle cool down before beginning installation.*

Note: *Read through all instructions before beginning installation.*

Tools Needed:

12mm Socket
3/8" Ratchet and Extension
12mm Wrench
3mm, 4mm, 5mm, 6mm Allen Wrench
Phillips Screwdriver
Torque Wrench

Installation Steps:

- 1 Remove left and right passenger footpegs with brackets from subframe (see Fig. 1 for bolt locations).

NOTE: Be careful not to break black plastic heatshield that is attached to right passenger footpeg bracket near the brake fluid reservoir.

- 2 Remove left and right side covers located directly below the rider's seat (see Fig.1 for bolt locations).
- 3 Remove rider seat (see Fig. 2) and passenger seat.
- 4 Remove rear cowling (be careful not to crack rear cowling during removal, see Fig. 3 and Fig. 4).
- 5 Remove stock mufflers and gaskets (Fig. 5).

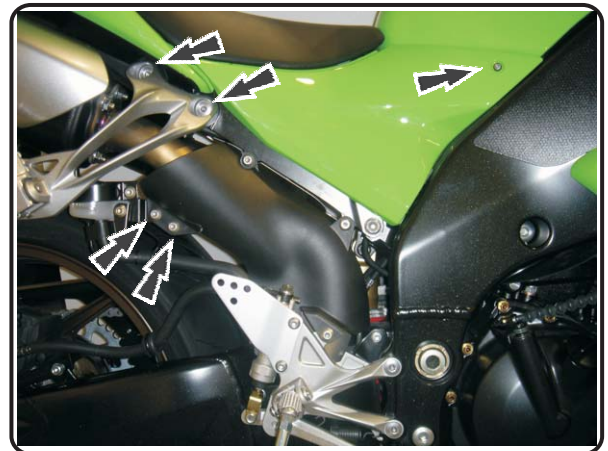


Fig. 1



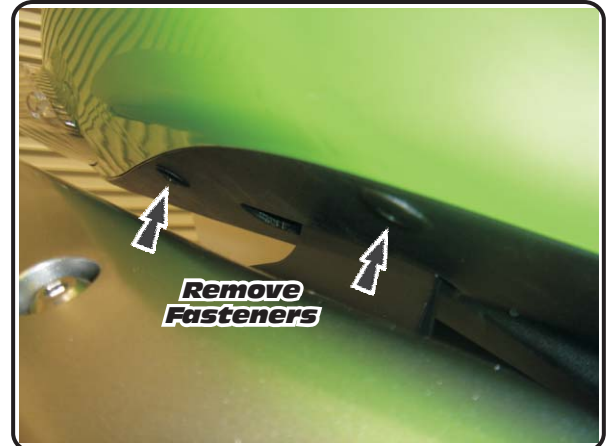
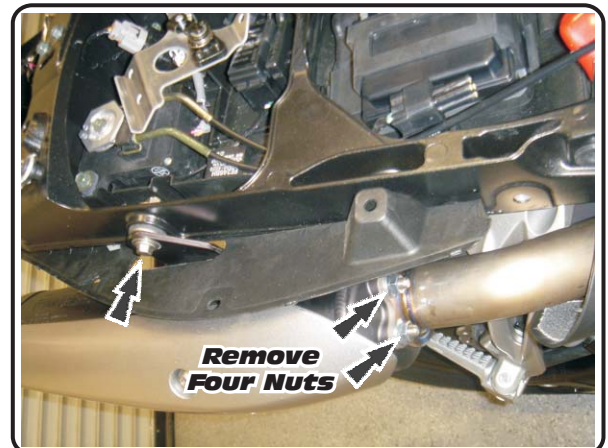
Fig. 2



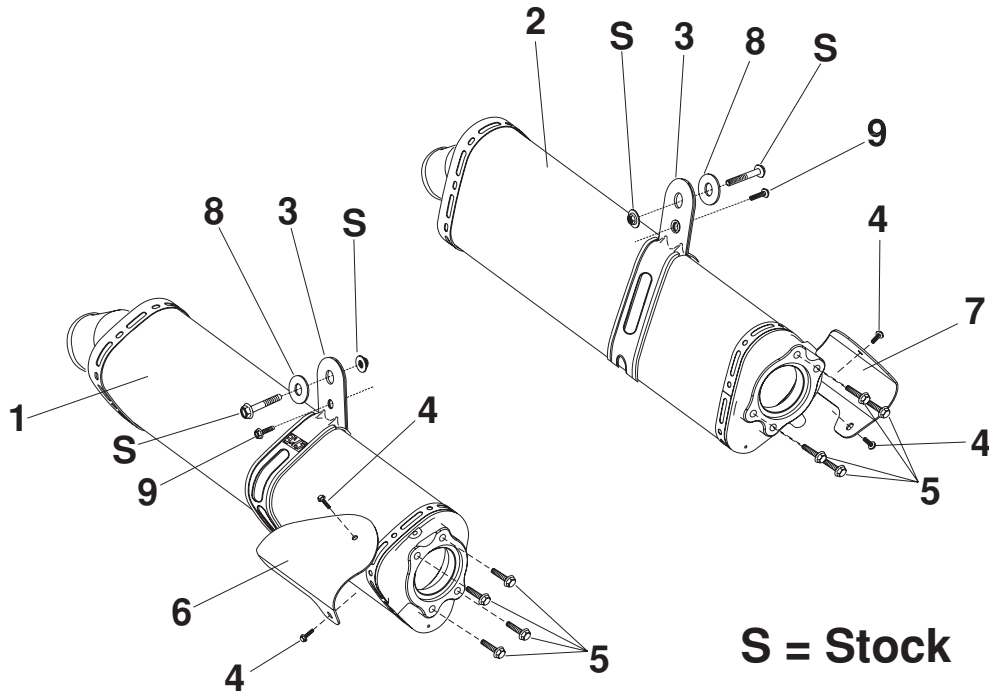
Fig. 3

- 6 *Install new stock muffler gaskets (not supplied).*
- 7 *Apply heat insulators to inside of muffler clamps and slide clamps onto mufflers.*
- 8 *Install Yoshimura bolt-on mufflers using the supplied bolts (see Parts Diagram on page 4).*
- 9 *Mount muffler clamps to subframe using the stock bolt, stock nut, and supplied washer (see Parts Diagram on page 4).*
- 10 *Install one of the supplied M5X10 bolts into each of the muffler clamps as shown on page 4.*
- 11 *Torque muffler-to-tailpipe bolts to 2.5 kg-m (18 lb-ft).*
- 12 *Torque stock muffler mount bolts to 2.5 kg-m (18 lb-ft).*
- 13 *Install muffler heatshields using the supplied bolts (see Parts Diagram on page 4).*
- 14 *Reinstall rear cowling, passenger seat, rider seat, left and right side covers, black plastic heatshield, and the left and right passenger pegs.*
- 15 *It is recommended that the entire exhaust system be wiped down with rubbing alcohol to remove oil and fingerprints. This will help prevent tarnishing of the finish after the exhaust is heated up.*
- 16 *Before starting motorcycle, check for proper clearance between new exhaust system and motorcycle (i.e. swing-arm, fairings etc.). If any problem is found, please carefully follow through the installation steps again. If problem still persists, please call Yoshimura technical department at (800) 634-9166/ in CA (909) 628-4722.*

Note: *After starting motorcycle, it is normal for new exhaust system to emit smoke until oil residue burns off.*

**Fig. 4****Fig. 5**

#1416465



Parts Diagram

NO.	DESCRIPTION	QTY	PART #
1	Yoshimura Muffler Assembly (Right Side) with Stainless Steel Sleeve	1	1416465-RMA
2	Yoshimura Muffler Assembly (Left Side) with Stainless Steel Sleeve	1	1416465-LMA
3	Stainless Steel Muffler Clamp Stainless Steel Sleeve Muffler	2	CTS091X
4	5mm x 10mm Flange Hex Bolt	6	M5X10
5	8mm x 16mm Flange Hex Bolt	8	M8X16H
6	Right Yoshimura Heatshield	1	1416435-RHS
7	Left Yoshimura Heatshield	1	1416435-LHS
8	Large Washer	2	8MMWASHERL
**	Muffler Clamp Heat Insulator	2	HT SHLDTRS
**	Yoshimura Vinyl Sticker	1	17029
**	Low Volume Insert	2	TRS-INS-BK