



YOSHIMURA

RESEARCH&DEVELOPMENT OF AMERICA, INC.

5420 DANIELS STREET STE A, CHINO CA., 91710 · (800) 634-9166 · (909) 628-4722 · FAX (909) 591-2198

www.yoshimura-rd.com

Street Series

Qualified Manufacturer Declared "Replacement Part"

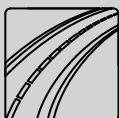
2006~2016

Yamaha R6

1362272 (CF/CF)

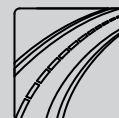
1362275 (SS/CF)

TRC Stainless Steel Slip-On



All Street Series systems are:

- Slip-on/Bolt-on applications that do not require tampering with the vehicle's emissions control system.
- CARB/EPA tail-pipe emissions compliant.
- Marked with appropriate EPA noise labels.
- Not tested for EPA new vehicle noise compliance.



✘ You must know how to remove and replace your stock exhaust in order to install this product otherwise have it installed by a professional mechanic. Keep all stock parts from your existing system as some components may be necessary to install your new Yoshimura exhaust depending on the application. Read through all instructions before beginning installation. Exhaust system can be extremely hot. Let motorcycle cool down before beginning installation. Always wear hand and eye protection and take precautionary measures to avoid injury. ✘

NOTE: IN THE STATE OF CALIFORNIA, IT IS ILLEGAL TO MODIFY THE EMISSION CONTROL SYSTEM, WHICH INCLUDES THE CARBURETORS OF ANY VEHICLE.

Caution: Exhaust system can be extremely hot. Let motorcycle cool down before beginning installation.

Note: Read through all instructions before beginning installation.

Tools Needed:

11 and 12mm socket
3/8" ratchet and extension
10mm wrench
4mm, 5mm, and 6mm allen wrench
Torque wrench

Installation Steps:

- 1 Remove right side fairing.
- 2 Remove black cover that hides the exhaust valve (see Fig. 1).
- 3 Disconnect and remove the exhaust valve cables (see Fig. 2 and refer to your service manual for complete removal instructions).

NOTE: Do not unplug servo motor. Unplugging the servo motor may cause the bike to run in a power limited fail safe mode.

- 4 Remove stock muffler by removing stock muffler mount bolt and loosening stock exhaust clamp (see Fig. 2).

Note: For 2010-11 models, removal of tailpipe ring and gasket may be necessary.

- 5 Slide supplied collector clamp over inlet of Yoshimura TRC muffler and install TRC muffler using the stock bolt and washer (see Parts Diagram on page 3).
- 6 Torque muffler mount bolt to 2.3 kgf-m (16.5 lb-ft).
- 7 Torque supplied collector clamp to 1.1 kgf-m (8 lb-ft).
- 8 Reinstall right side fairing.
- 9 It is recommended that the muffler be wiped down with rubbing alcohol to remove oil and fingerprints. This will help prevent tarnishing of the finish after the exhaust is heated up.
- 10 Check for proper clearance between new exhaust system and motorcycle. (i.e. Swing-arm, body work, etc.) If any problem is found, please carefully follow through the installation steps again. If problem still persists, please call Yoshimura technical department at (800)634-9166 / in CA (909)628-4722.

Note: After starting motorcycle, it is normal for new exhaust system to smoke until oil residue burns off.

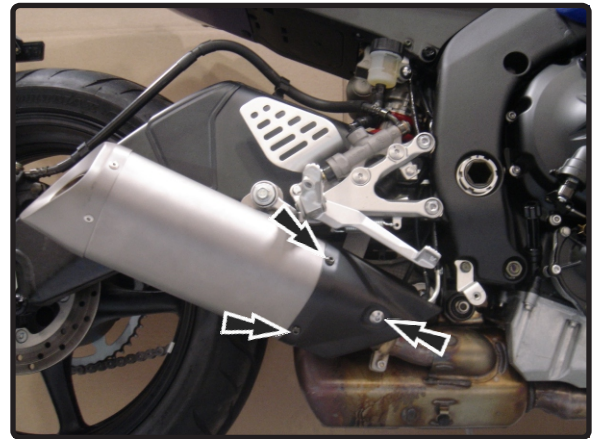


Fig. 1

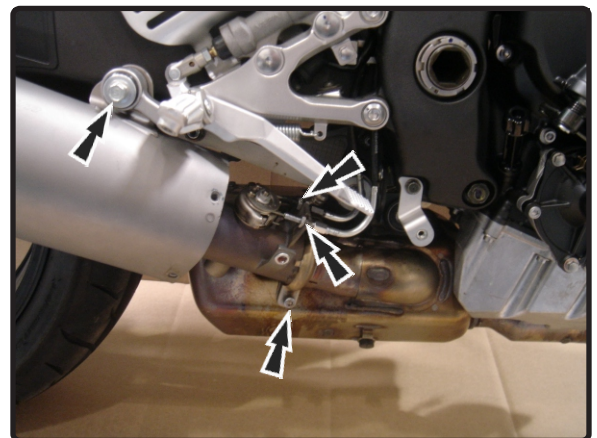
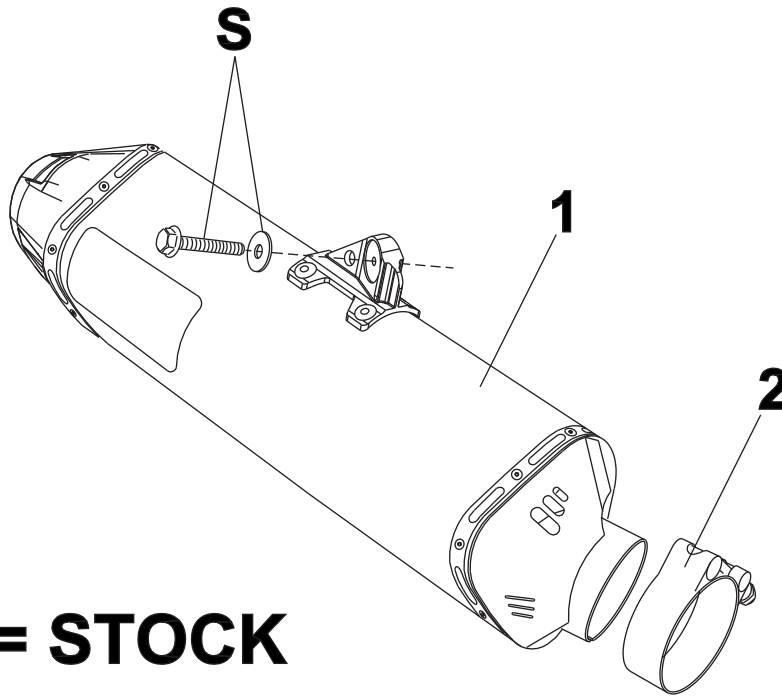


Fig. 2

#136227(2,5,7)



Parts Diagram

NO.	DESCRIPTION	QTY	PART #
1	Yoshimura Slip-On Muffler with Carbon Fiber Sleeve with Stainless Steel Sleeve with Titanium Sleeve	1	1362272-RMA 1362275-RMA 1362277-RMA
2	Exhaust Collector Clamp	1	22059
**	Yoshimura Vinyl Sticker	1	17029