



YOSHIMURA

RESEARCH&DEVELOPMENT OF AMERICA, INC.

5420 DANIELS STREET STE A, CHINO CA., 91710 · (800) 634-9166 · (909) 628-4722 · FAX (909) 591-2198

www.yoshimura-rd.com

Street Series

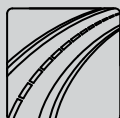
Qualified Manufacturer Declared "Replacement Part"

2008~2010
SUZUKI GSX-R600/750

1170272 (CF/CF)

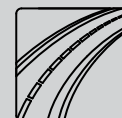
1170275 (SS/CF)

TRC Stainless Steel Slip-On



All Street Series systems are:

- Slip-on/Bolt-on applications that do not require tampering with the vehicle's emissions control system.
- CARB/EPA tail-pipe emissions compliant.
- Marked with appropriate EPA noise labels.
- Not tested for EPA new vehicle noise compliance.



✘ *You must know how to remove and replace your stock exhaust in order to install this product otherwise have it installed by a professional mechanic. Keep all stock parts from your existing system as some components may be necessary to install your new Yoshimura exhaust depending on the application. Read through all instructions before beginning installation. Exhaust system can be extremely hot. Let motorcycle cool down before beginning installation. Always wear hand and eye protection and take precautionary measures to avoid injury.* ✘

NOTE: IN THE STATE OF CALIFORNIA, IT IS ILLEGAL TO MODIFY THE EMISSION CONTROL SYSTEM, WHICH INCLUDES THE CARBURETORS OF ANY VEHICLE.

Caution: Exhaust system can be extremely hot. Let motorcycle cool down before beginning installation.

Note: Read through all instructions before beginning installation.

Tools Needed:

Metric Socket Set
3/8" Ratchet and Extension
Metric Combination Wrench Set
Metric Allen Wrench Set
Torque Wrench
Power Drill
13/64" Drill Bit

Installation Steps:

- 1 Remove the stock muffler heatshield (see Fig. 1 for bolt locations).
- 2 Remove the stock muffler and the stock muffler gasket (see Fig. 2 for bolt locations).

NOTE: Stock muffler gasket will not be used with Yoshimura slip-on system.

- 3 Remove the stock steel insert from the inside of the stock muffler mount and replace it with the supplied aluminum spacer insert (see Fig. 3).
- 4 Install rubber heat insulator to the inside of the Yoshimura muffler clamp and slide Yoshimura muffler clamp over the Yoshimura muffler.
- 5 Slide the supplied exhaust clamp over the inlet of the Yoshimura tailpipe.
- 6 Slide the Yoshimura tailpipe and muffler onto the stock underbelly muffler.

NOTE: No exhaust gasket is used between the Yoshimura tailpipe and the stock underbelly muffler outlet.

- 7 Mount Yoshimura muffler clamp to the inside of the stock muffler bracket using the supplied bolt, supplied washer, and stock nut (see Fig. 3).

NOTE: Hand tighten only at this point.

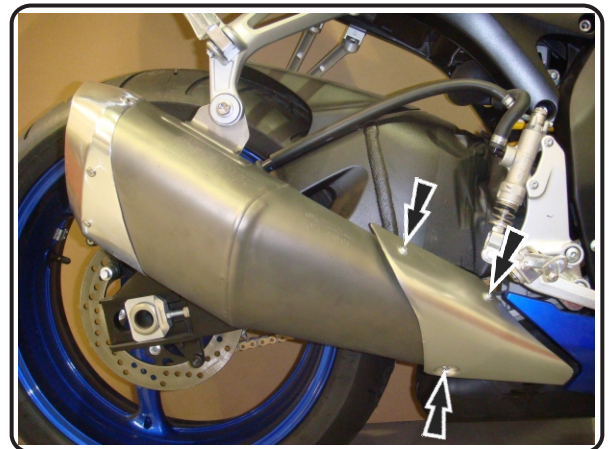


Fig. 1

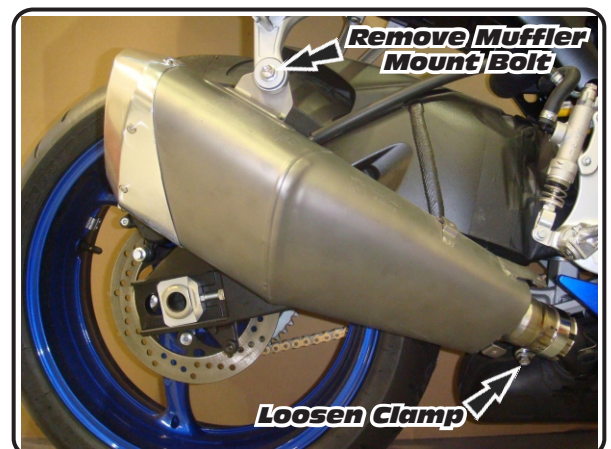


Fig. 2

- 8 Standing at the back of the motorcycle, check for proper alignment of the muffler. Adjust if necessary.

NOTE: To adjust fitment, it may be necessary to rotate the tailpipe or the muffler independently until proper alignment of the muffler is achieved.

NOTE: We will be installing a securing rivet into the tailpipe to prevent the tailpipe from rotating while the motorcycle is in operation.

- 9 Drill a 13/64" hole through the outlet of the stock underbelly muffler, using the securing hole located near the Yoshimura tailpipe inlet as your guide.

CAUTION: Always wear eye protection when using any power tools.

- 10 Insert securing rivet into drilled hole, slide supplied stainless steel collector clamp over rivet and torque clamp to 1.25 kg-m (9 lb-ft).

- 11 Torque muffler clamp bolt to 2.5 kg-m (18 lb-ft).

- 12 It is recommended that the muffler and tailpipe be wiped down with rubbing alcohol to remove oil and fingerprints. This will help prevent tarnishing of the finish after the exhaust is heated up.

- 13 Check for proper clearance between new exhaust system and motorcycle (i.e. swing-arm, body work, etc.). If any problem is found, please carefully follow through the installation steps again. If problem still persists, please call Yoshimura technical department at (800)634-9166 / in CA (909)628-4722.

NOTE: After starting motorcycle, it is normal for a new exhaust system and muffler to smoke until oil residue burns off.

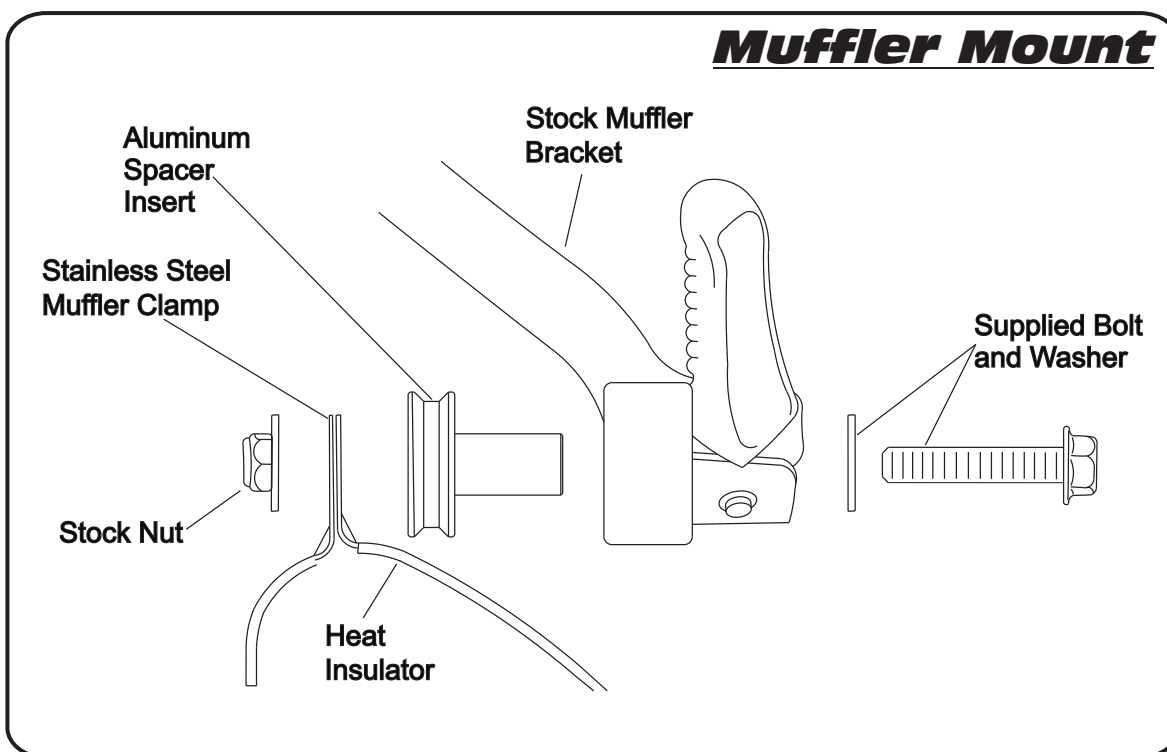
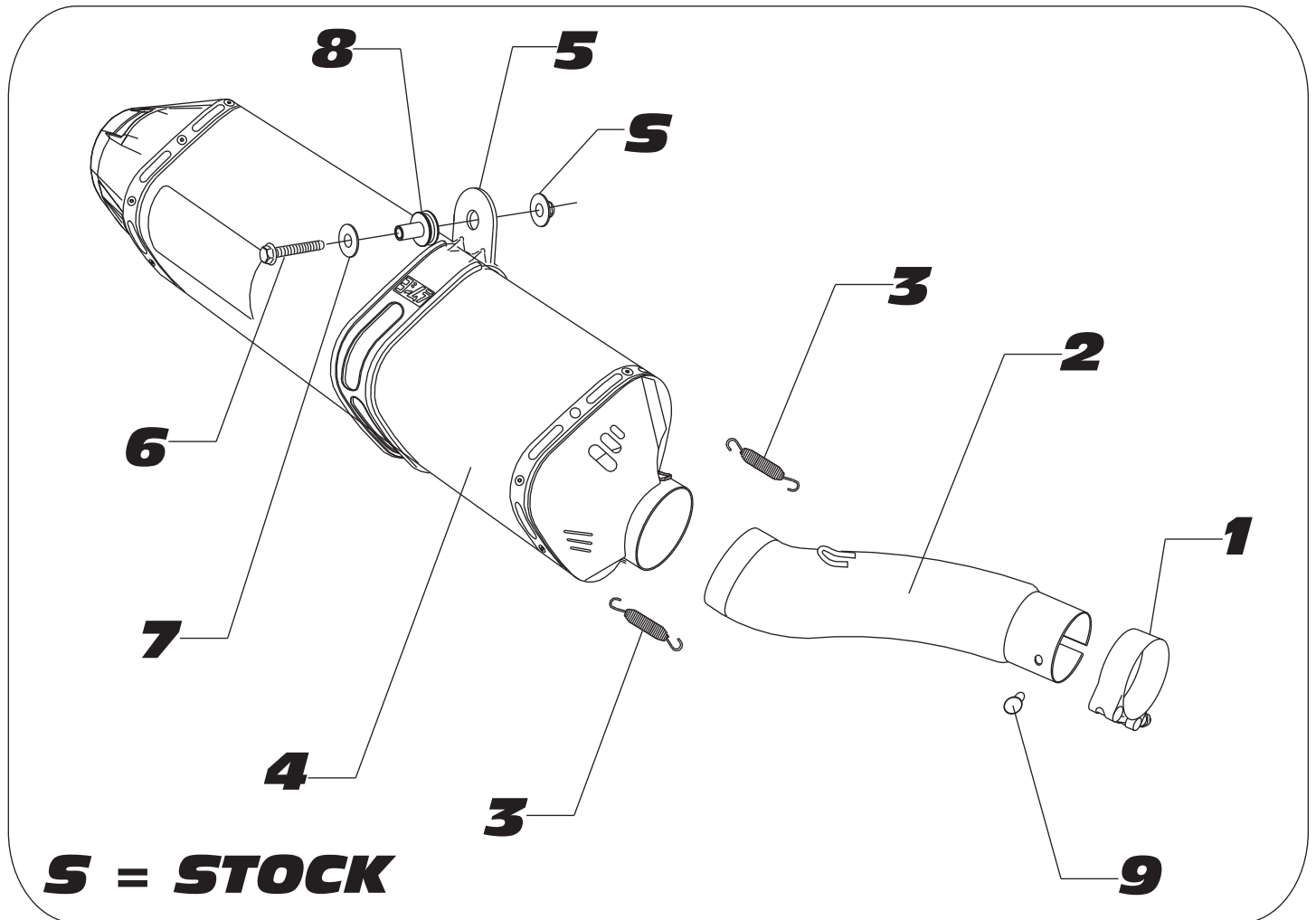


Fig. 3

#117027(2,5,7)



Parts Diagram

NO.	DESCRIPTION	QTY	PART #
1	Stainless Steel Exhaust Clamp	1	20059
2	Yoshimura Slip-On Tailpipe	1	1170-435
3	Medium Exhaust Springs	2	RACE-SPS-1
4	Yoshimura Race Muffler with Carbon Fiber Sleeve with Stainless Steel Sleeve with Titanium Sleeve with R-22 SS Sleeve and SS Endcap	1	CRTRC146W SRTRC146W TRTRC146W SRR22146W
5	Yoshimura Muffler Clamp for use with Carbon Fiber Sleeve for use with Stainless Steel or Titanium Sleeve	1	CTS082 CTS082X
6	8mm x 50mm Bolt	1	M8X50H
7	8mm Washer Large	1	8MMWASHERL
8	Aluminum Spacer Insert	1	ALS-013
9	Securing Rivet	1	S-RIVET
**	Rubber Heat Insulator	1	HT SHLDTRS
**	Yoshimura Spring Puller Tool	1	ST-200
**	Yoshimura Vinyl Sticker	2	17028-BLK