



YOSHIMURA

RESEARCH&DEVELOPMENT OF AMERICA, INC.

5420 DANIELS STREET STE A, CHINO CA., 91710 · (800)634-9166 · (909)628-4722 · FACSIMILE (909)591-2198

www.yoshimura-rd.com

YOSHIMURA PERFORMANCE EXHAUST SYSTEM

SUZUKI
2009-2011
GSX-R1000

1118302	STAINLESS STEEL SLIP-ON SYSTEM WITH CARBON FIBER SLEEVE
1118305	STAINLESS STEEL SLIP-ON SYSTEM WITH STAINLESS STEEL SLEEVE
1118306	STAINLESS STEEL SLIP-ON SYSTEM WITH SS SLEEVE AND SS ENDCAP
1118307	STAINLESS STEEL SLIP-ON SYSTEM WITH TITANIUM SLEEVE



THIS PRODUCT IS DESIGNED FOR USE IN CLOSED COURSE RACING AND IS NOT INTENDED FOR HIGHWAY USE.



NOTE: IN THE STATE OF CALIFORNIA, IT IS ILLEGAL TO MODIFY THE EMISSION CONTROL SYSTEM, WHICH INCLUDES THE FUEL INJECTION OF ANY VEHICLE.

Caution: Exhaust system can be extremely hot. Let motorcycle cool down before beginning installation. Always wear hand and eye protection and take precautionary measures to avoid injury.

Note: Read through all instructions before beginning installation.

Tools Needed:

Metric Socket Set
Ratchet and Extension
Metric Combination Wrench Set
Metric Allen Wrench Set
Torque Wrench

Installation Steps:

- 1 Remove right side fairing.
- 2 Remove stock right side tailpipe heatshield. (Fig. 1)
- 3 Remove the spacer and rubber grommet from the right rearset. (Fig. 2)
- 4 Loosen left and right stock collector clamps (see Fig. 2 and 3).
- 5 Unbolt and remove left and right stock mufflers from passenger foot rest mounts.
- 5 Unscrew O2 Sensor. Remove stock underbelly mounting bracket bolts and stock underbelly muffler.
- 6 Remove stock underbelly muffler mounting bracket depicted in Fig. 4.
- 7 Remove the spacer and rubber grommet from the right side center muffler frame mount point. (Fig. 5)
- 8 On the left side center muffler frame mount point, remove the stock spacer from the right side and re-insert from the left side.
- 9 Install rubber heat insulator to inside of Yoshimura muffler clamp and slide muffler clamp over Yoshimura muffler.



Fig. 2

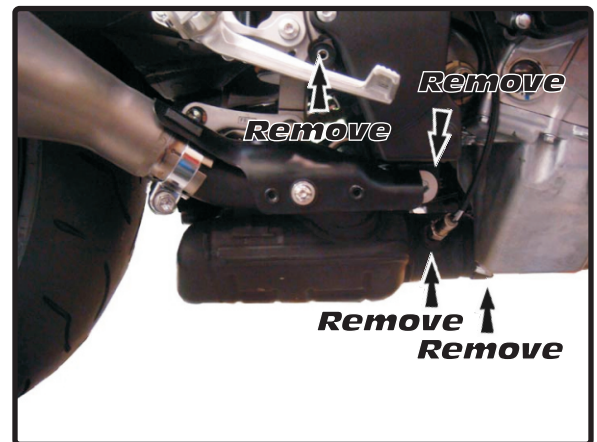


Fig. 3

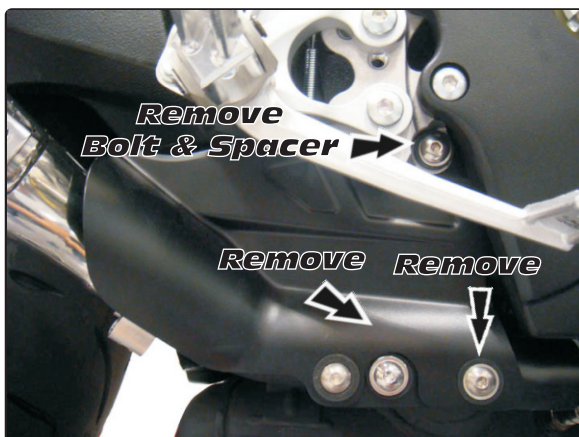


Fig. 1



Fig. 4

Installation Steps Continued:

- 10 Slide exhaust collector clamp over the inlet of the Yoshimura tailpipe and install Yoshimura tailpipe and muffler onto the stock header.
- 11 Bolt muffler to the right muffler mount location using stock hardware. (Fig. 7)
- 12 Bolt tailpipe to chassis mount using the stock bolt, stock washer, supplied washer and supplied nut. (See Parts Diagram on the last page). Orientation from left side is as follows: Stock bolt, stock washer, Yoshimura tailpipe bracket, stock spacer, chassis, supplied washer, supplied nut.
- 13 Install stock O2 sensor into Yoshimura Tailpipe.
- 14 Torque muffler and chassis mount bolts to 2.3 kgf-m (16.5 lb-ft). See figure 8 for Muffler Clamp orientation.
- 15 Torque exhaust collector clamp to 1.25 kgf-m (9 lb-ft).
- 16 It is recommended that the muffler and tailpipe be wiped down with rubbing alcohol to remove oil and fingerprints. This will help prevent tarnishing of the finish after the exhaust is heated up.
- 17 Reinstall the left and right side fairings.
- 18 Check for proper clearance between new exhaust system and motorcycle. (i.e. Swing-arm, body work, etc.) If any problem is found, please carefully follow through the installation steps again. If problem still persists, please call Yoshimura technical department at (800)634-9166 / in CA (909)628-4722.

Note: After starting motorcycle, it is normal for new exhaust system and muffler to smoke until oil residue burns off.



Fig. 5

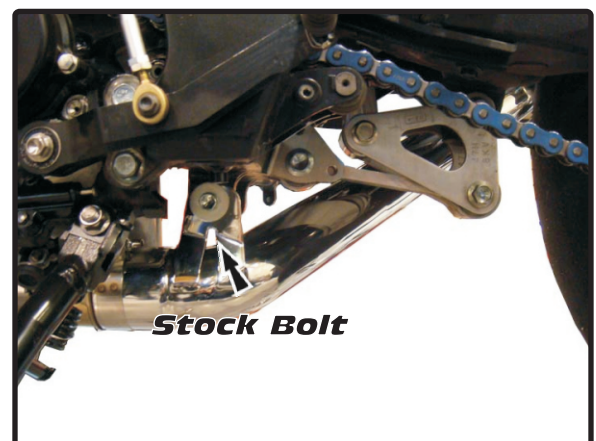


Fig. 6

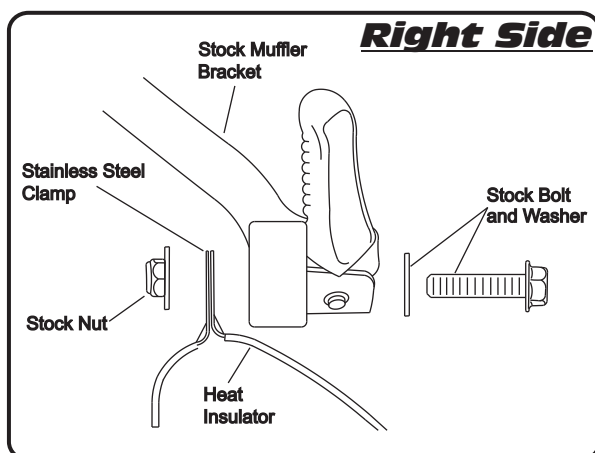
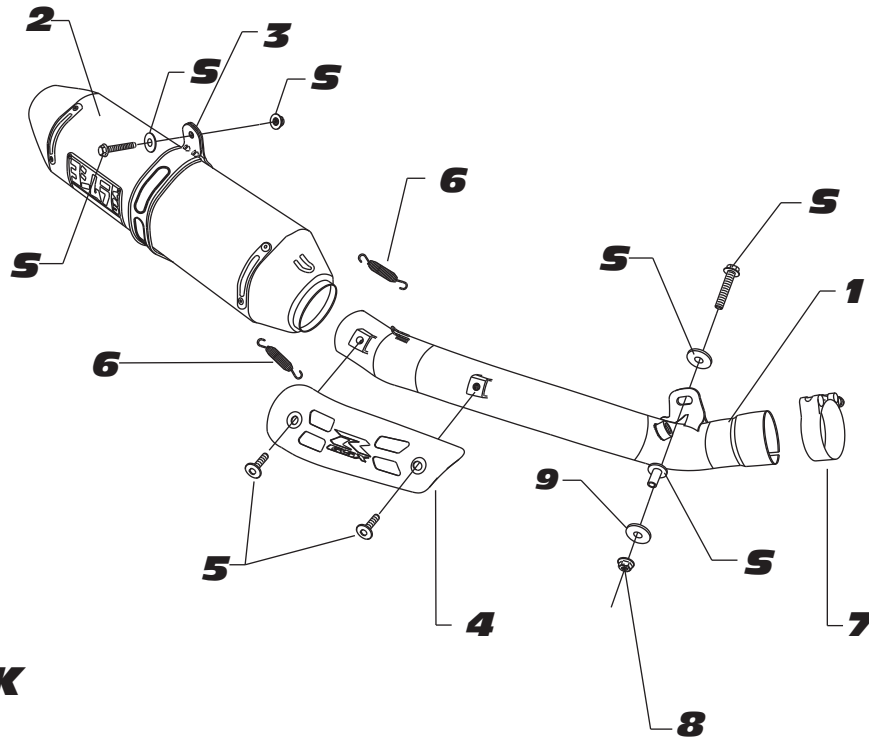


Fig. 8



Fig. 7

#111830(2,5,6,7)



S=STOCK

Parts Diagram

NO.	DESCRIPTION	QTY	PART #
1	Yoshimura Tailpipe	1	1118-435
2	Yoshimura R77 Muffler with Carbon Fiber Sleeve with Stainless Steel Sleeve with SS Sleeve and SS Endcap with Titanium Sleeve	1	CRR77F146W SRR77F146W SRR77146W-SS TRR77F146W
3	Stainless Steel Muffler Clamp Carbon Fiber use Stainless Steel or Titanium Sleeve use	1	1121-MPCA 1121-MPCAX
4	Yoshimura Heatshield	1	1117-HSR
5	Heatshield Mounting Bolts	2	RC116HSB
6	82MM Exhaust Spring	2	RACE-82MM
7	Exhaust Collector Clamp	1	20067
8	8mm Nut	1	8MMNUT
9	8mm Washer XL	1	8MMWASHERXL
**	Low Volume Insert Kit For 1118006 For 111800(2,5,7)	1	INS-03-K INS-04-K
**	Muffler Clamp Heat Insulator	1	HT SHLDR77
**	Spring Puller Tool	1	ST-200
**	Yoshimura Vinyl Sticker	1	17029