

YAMAHA FZ-1/FAZER EEC APPROVED SLIP-ON R-77J STAINLESS END / CARBON END

Be sure to read the instruction carefully before starting the work. It is necessary to follow the contents for installing Yoshimura Slip-On.

1. Product Information:

Description	Yamaha FZ-1/Fazer EEC Approved Slip-on	Part Number (Stainless End)	Stainless Sleeve ; 1A0-384-5V50
	R-77J Stainless End / Carbon End		Metal Magic Sleeve ; 1A0-384-5V20
Cyclone Type	YSH384S77C1		Titanium Sleeve ; 1A0-384-5V80
EEC Approved Number	e1 0793⑨ / e1 0775 ⑤	Part Number (Carbon End)	Stainless Sleeve ; 1A0-384-5W50
Weight [STD; 7.0kg]	Stainless End / (SS)&(SM) : 3.7kg, (ST) : 3.5kg		Metal Magic Sleeve ; 1A0-384-5W20
	Carbon End / (SS)&(SM) : 3.6kg, (ST) : 3.4kg		Titanium Sleeve ; 1A0-384-5W80

2. Applicable Model :

Model	Yamaha FZ-1/Fazer
Type of Engine	N513E

3. Contents:

No.	Descriptions	Part No.	Q'ty	No.	Descriptions	Part No.	Q'ty
1	Tailpipe	185-384-5V00	1	3	Silencer Band	162-CAX-1321	1
2-A	Silencer Assy, Stainless Sleeve	1A6-384-5V50	1	4	Silencer Band Rubber	896-016-0835	1
	Silencer Assy, Metal Magic Sleeve	1A6-384-5V20		5	Flange Nut M10 P1.25	823-010-1250	1
	Silencer Assy, Titanium Sleeve	1A6-384-5V80		6	Clamp Band 59-63	162-777-5963	1
2-B	Silencer Assy, Stainless Sleeve	1A6-384-5W50	1	7	Exhaust Spring	118-001-0000	2
	Silencer Assy, Metal Magic Sleeve	1A6-384-5W20		8	Honeycomb Catalyzer Shoku-by	138-30C-9051	1
	Silencer Assy, Titanium Sleeve	1A6-384-5W80					

Parts Diagram

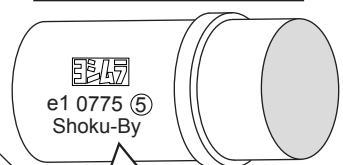


DANGER It requires readjustment of fuel injection setting by Bazzaz Z-Fi or similar equipment. If neglected, it may cause engine damage.

SD#81 (Pre-installed)
Part No : 138-138-3281
CAUTION
Without SD#81, the EEC Approval is not valid.

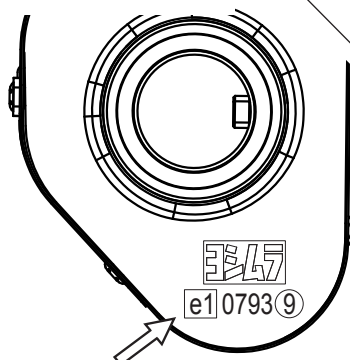
2-A : Stainless End
2-B : Carbon End

Close Up of Catalyzer



EEC Approval No.

Sight From Front



EEC Approval No.

