

HYPHERPRO

STEERING DAMPER MOUNTING KIT

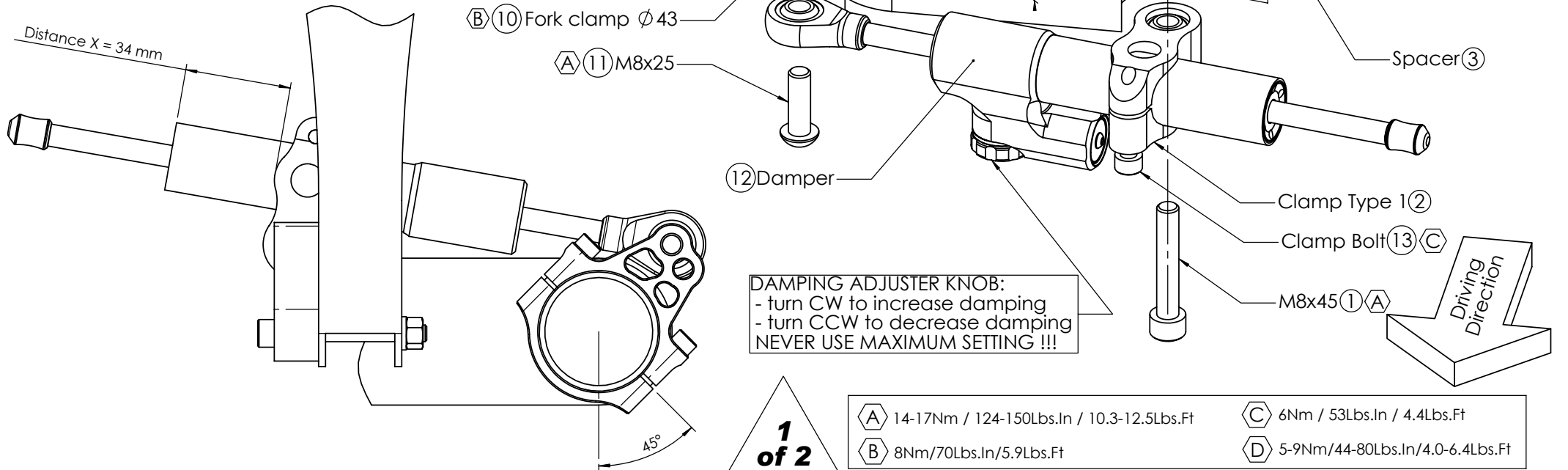
for

TRIUMPH TT600 RACE Model 1999 ->

MK-TR06-B001 PART LIST

SD stroke 75	1	Washer M6 ϕ 12	4
Tube Clamp TYPE 1	1	Steering lock lim. 5mm	2
Fork clamp ϕ 43	1	Locknut M6	2
CNC Frame Bracket	1	Spacer D14 d8.4 L=20	1
M6x50	1	-	-
M6x55	1	-	-
M8x25 Button head	1	-	-
M8x45	1	-	-

ALL IDEAS, DESIGNS ARRANGEMENTS AND PLANS INDICATED OR REPRESENTED BY THIS DRAWING ARE OWNED BY HYPERPRO AND WERE CREATED, EVOLVED AND DEVELOPED FOR USE ON AND IN CONNECTION WITH THE SPECIFIC PROJECT. NONE SUCH IDEAS, DESIGNS, ARRANGEMENTS OR PLANS SHALL BE USED BY OR DISCLOSED TO ANY PERSON, FIRM OR CORPORATION FOR ANY PURPOSE WHATSOEVER WITHOUT THE WRITTEN PERMISSION OF HYPERPRO.



See WWW.HYPERPRO.COM for the latest pictures, modifications, specs. and e-drawings of this steering damper kit.

HYPERPRO

STEERING DAMPER MOUNTING KIT

for

TRIUMPH TT600 RACE Model 1999 ->

MK-TR06-B001 INSTALLATION INSTRUCTIONS

In general:

HYPERPRO can not be held responsible in any way for any form of physical, material, financial or other damage arising from use, assembly or overhaul of HYPERPRO products. HYPERPRO reserves the right to make changes without prior notice.

This product is ONLY TO BE INSTALLED BY A PROFESSIONAL MECHANIC.

This product is only to be used for the motorcycle brand, model and year stated specifically on top of the pages of this manual.

DO NOT attempt to install this product on motorcycles from any different brand, model and/or year than stated on the pages of this manual.

DO NOT use this kit for cars, boats, jet-skis, snowmobiles, ATV's, aircraft, hovercrafts or any other vehicle and/or purpose.

HYPERPRO steering dampers are FOR RACE USE ONLY, NOT FOR HIGHWAY USE!

Before installation:

- Please read the entire manual carefully before starting the installation!
- Check if you have all the tools required. Good tools are a must.
- Protect your bike at the most important places in and around the work area (e.g. tank, fairing, frame, etc.), with a blanket, towel or similar.

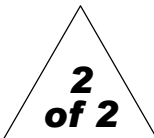
During installation:

- Check all operations and parts carefully before, during and after performing each step.
- Clean all surfaces that are required for fitting parts together or for applying self adhesives or loctite, thoroughly with contact cleaner or another degreaser, unless otherwise stated.
- Be careful not to damage or scratch any part of your bike.
- ALWAYS work relaxed and concentrated!! It is very easy to damage something or make a mistake.

After installation:

- Check and make sure that there is no contact between any part of the steering damper kit and any part of the motorcycle. The kit should not hit anything. Steering movement should not be limited by the steering damper. If the steering movement is limited, adjust the position of the tube in the clamp until steering movement is normal again. Do not forget to tighten the clamp bolt again!
- ALWAYS check the steering movement and feeling before each ride!
- FIRST RIDES: Start with the damper turned fully open (turn adjuster knob fully counter clockwise). Start adjusting in between rides with steps of MAX. 2 CLICKS (0.25 TURN) EACH TIME, until the damper is working satisfactory for your riding style.
- NEVER USE MAXIMUM SETTING, ALWAYS OPEN AT LEAST 2 CLICKS (0.25 TURN).

- WARNING ! DAMPER HAS AN ACTIVE / SPEEDSENSITIVE DAMPING SYSTEM;
 - Steering with NORMAL MOVEMENT should be FREE !!
 - Steering with FAST MOVEMENT should be CONTROLLED BY DAMPER !!
- HYPERPRO uses a special seal to reduce friction. The seal uses an oil film to work properly. It is normal that some oil can appear on the pistonrod.
- Damper works with oil: DAMPING CAN BE HARDER AT LOWER TEMPERATURES!

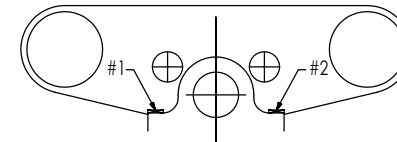


Step 1: installing the steering lock limiters

Install the lock limiters using:

- Rubber 5mm steering lock limiters (self-adhesive)

Remove the parts that covering the bottom of the lower triple tree, providing access to the bottom of the cockpitframe. Clean and degrease the left and right steering lock surfaces on the bottom of the steering head (see illustration). Stick the bumprubbers on the cleaned surfaces, so that the max steering angle will be limited by a few millimeters.



Step 2: installing the frame bracket

- Tube clamp Type 1 (2)
- Bolt M8x45 (1)
- Spacer (3)
- Frame bracket (4)
- Bolt M6x50 (6)
- Bolt M6x55 (7)
- 4x Washer M6 (5 & 8)
- 2x Lock nut (9)

Put the assembly together as shown on page 1: Take the frame bracket (4), place the spacer (3) and the tube clamp (2) inline on top of the M8 hole and put the M8 bolt (1) through all the parts and screw it into the thread of the bracket. Tighten the bolt with a torque of approx. 14-17Nm/124-150Lbs.In/10.3-12.5Lbs.Ft.

Loosen and remove the brake hose clamp and the two bolts holding the front fairing frame. Use the bolts M6x50 (6) and M6x55 (7), the washers (5 & 8) and nuts (9) in the correct order (see picture on page 1), to install the damper clamp assembly (1,2,3 & 4) to the front fairing subframe. Do not forget to fit the standard cable mount. Tighten the bolt lightly with a torque of approximately 5-9Nm/44-80Lbs.In/4.0-6.4Lbs.Ft

Step 3: installing the fork clamp

- Fork bracket \varnothing 43 (10)

Remove the two M5 clamp bolts from the bracket (10). Place the bracket parts around the right fork leg, 5mm above the top of the lower triple clamp. Make sure that the hole with the least distance is pointing backwards (see picture on page 1). Position under 45° from riding direction as shown on page 1. Replace the clamp bolts and tighten them with a torque of approx. 8Nm/70Lbs.In/5.9Lbs.Ft

Step 4: installing the steering damper

Install the steering damper using:

- Steering damper (12)
- Bolt M8x25 button head (11)

Ensure that the clamp bolt of the Tube clamp is pointing forward. Shove the damper (12), with the end knob-side first, through the clamp until the ball joint can be fitted to the tank bracket. Use the M8 bolt (14) to fixate the balljoint to the tank bracket and tighten with a torque of approx. 14-17Nm/124-150Lbs.In/10.3-12.5Lbs.Ft. Position the damper tube until the distance "X" (= 34mm) stated on page 1 is reached, then tighten the M6 clamp bolt (13) with a torque of approx. 6Nm/53Lbs.In/4.4Lbs.Ft.

Check if the damper is level horizontally and aligned to the bike. Check if the damper does not touch anything (e.g. tank) when steering from left to right. Check if the bike can make it's full steering angle from left to right.

See WWW.HYPERPRO.COM for the latest pictures, modifications, specs. and e-drawings of this steering damper kit.