

**Note!**

When the original steering damper is disconnected an error light "HESD" will appear in the dash board.

For racing, a Honda race ECU and wire harness is recommended.

Kit Contents		
Description	Part No	Pcs
Steering damper	SD 065	1
Sticker Set	10207-01	1
Bracket assy	02230-18	1
Owner's manual	07242-07	1
Sleeve	02239-05	2
Spacer	02259-01	1

**Note!**

Please note that there can be small differences between your product and the images in these instructions.

**Note!**

Please note that during storage and transport, especially at high ambient temperature, some of the oil and grease used for assembly may leak and stain the packaging. This will not cause damage to the product, wipe off the excessive oil or grease with a cloth.

**Note!**

Before you install this product, check the kit contents. If anything is missing, please contact an Öhlins dealer.

**Warning!**

Before you install this product, read the Öhlins Owner's manual. This product is an important part of the vehicle and the vehicle stability.

## Steering damper for Honda CBR1000RR-R/SP

# SD 065

## Mounting Instructions



# MOUNTING INSTRUCTIONS

## **⚠ Warning!**

*We strongly recommend to let an Öhlins dealer install this product.*

## **⚠ Warning!**

*If you work with a lifted vehicle, make sure that it is safely supported to prevent it from tipping over.*

## **👁 Note!**

*When you work with this product, see the vehicle service manual for vehicle specific procedures and important data.*

## **👁 Note!**

*Before you install this product clean the vehicle.*

**1**

Disconnect the the original steering damper.

**2**

Remove the screw at the lower fork crown.

**3**

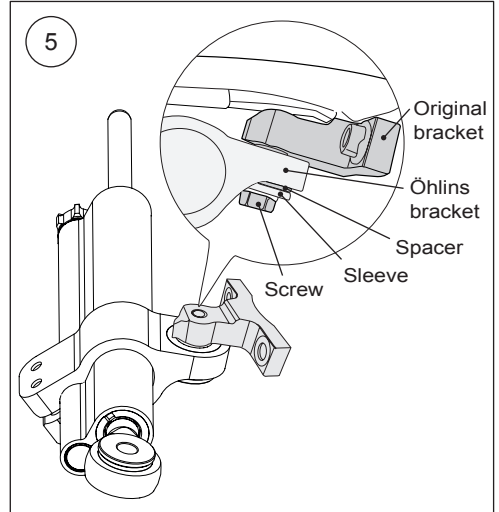
Remove the two screws holding the frame bracket and remove the original steering damper.

**4**

Remove the frame bracket from the original steering damper.

**5**

Mount the frame bracket to the Öhlins steering damper bracket (02230-18). Use original screw, sleeve (02239-05) supplied and spacer (02259-01) supplied.



# MOUNTING INSTRUCTIONS

**6**

Mount the Öhlins bracket (02230-18) at a distance of 38 mm, to the Öhlins steering damper.

**7**

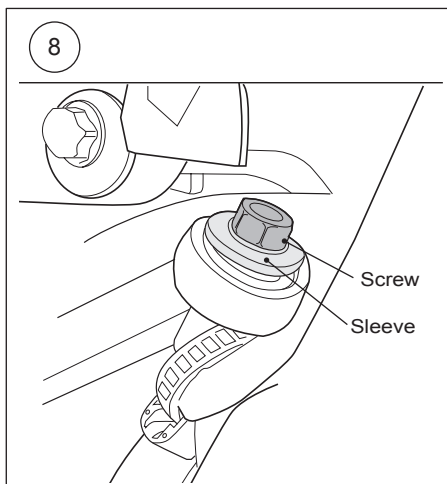
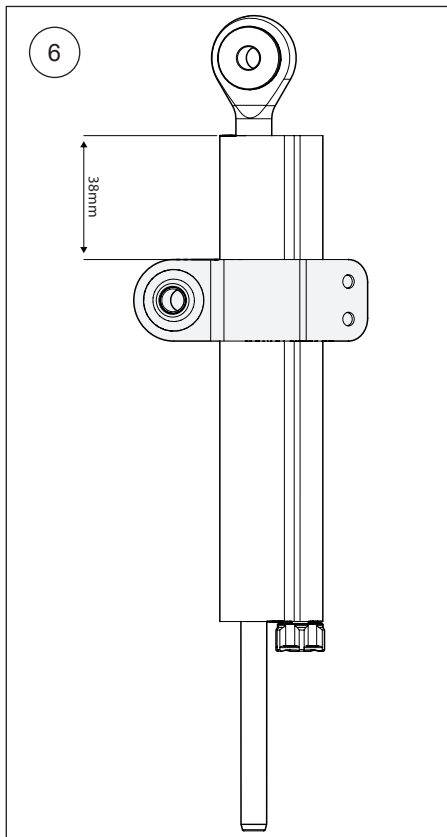
Mount the frame bracket (with steering damper) back on to the frame.

**8**

Fasten the end eye to the lower fork crown using the original screw and sleeve (02239-05) supplied.

**9**

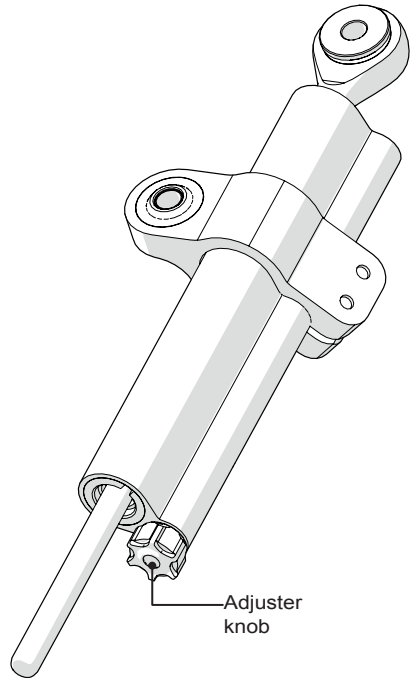
Turn the handle bar fully to the right and left to make sure that nothing restricts the movement and that the steering damper is not used as a stop.



# ADJUSTMENTS

## **⚠ Warning!**

*Before you ride/drive, always make sure that the setup is according to the recommended setup data. Read about adjustments and setting up in the Öhlins Owner's Manual before you make any adjustments. Contact an Öhlins dealer if you have any questions about setting up.*



## SETUP DATA

Stroke	63	mm
Recommended setup	10	clicks

Öhlins products are subject to continuous improvement and development, therefore, although these instructions include the most up-to-date information available at the time of printing, minor updates may occur.

To find the latest information contact an Öhlins distributor. Please contact Öhlins if you have any questions regarding the contents in this document.

Part no. MI\_SD065\_0  
Issued 2019-12-10

© Öhlins Racing AB. All rights reserved. Any reprinting or unauthorized use without the written permission of Öhlins Racing AB is prohibited.

Öhlins Racing AB  
Box 722  
S-194 27 Upplands Väsby, Sweden  
Phone +46 8 590 025 00  
fax +46 8 590 025 80



[www.ohlins.com](http://www.ohlins.com)