

**Note!**

Before installing this product, check the contents of the kit. If anything is missing, please check an Öhlins dealer.

**Kit Contents**

Description	Part No	Pcs
Shock absorber	HO 953	2

**Note!**

Please note that this image is a general representation of the product and may differ slightly from your product.

**Note!**

Please note that during storage and transportation, especially at high ambient temperature, some of the oil and grease used for assembling may leak and stain the packaging. This is in no way detrimental to the product, wipe off the excessive oil/grease with a cloth.

**Warning!**

Before installing this product, read the Öhlins Owner's Manual. The shock absorber is an important part of your vehicle and will affect the stability.

## Shock Absorber for Honda

# HO 953

## Mounting Instructions

**Model**

CB 750F 80-84	CB 900F2
CB 750F2	CBX 1000 78-81
CB 750 KZ 79-84	CB 1100F 82-85
CB 900F 79-84	CB 1100R 81-84



# MOUNTING INSTRUCTIONS

---

## **Warning!**

*It is advisable to have an Öhlins dealer install the shock absorber.*

---

---

## **Warning!**

*If working on a raised vehicle, ensure it is securely supported so that it will not tip over.*

---

---

## **Note!**

*Before mounting this product clean the vehicle thoroughly.*

---

---

## **Note!**

*When working on this product, always see the Vehicle Service Manual for vehicle specific procedures and important data.*

---

1

Note the position of the attachment bracket. Make sure that there is enough clearance to other details, in loaded and unloaded position.

---

## **Note!**

*HONDA CBX only; The helmet lock on the left side needs to be removed.*

---

---

## **Note!**

*Lower the vehicle so that the suspension is slightly compressed before tightening the screws.*

---

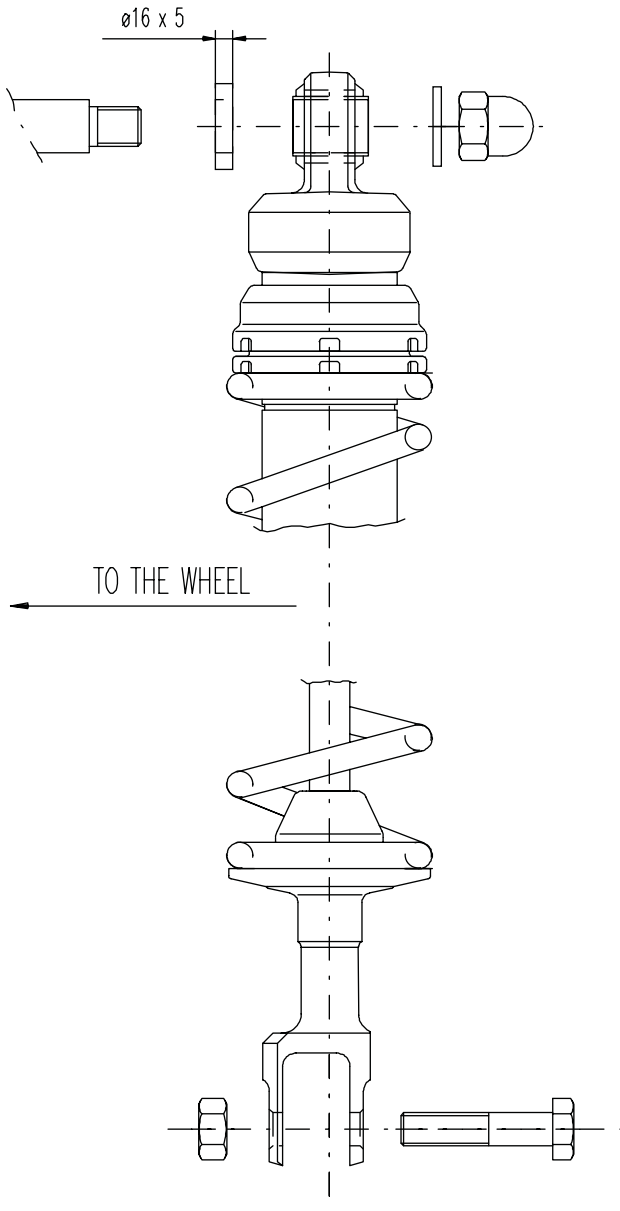
---

## **Caution!**

*Ensure that all screws are tightened to the correct torque and that nothing fouls or restricts movement of the shock absorber when the suspension is fully compressed or extended.*

---

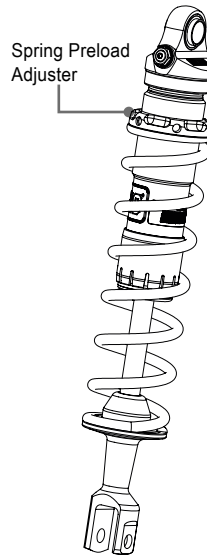
# MOUNTING INSTRUCTIONS



# ADJUSTMENTS

## **⚠ Warning!**

*Before riding, always make sure that the basic settings made by Öhlins are according to recommended Set-up Data. Read about adjustments and setting up in the Öhlins Owner's Manual before you make any adjustments. Contact an Öhlins dealer if you have any questions about setting up.*



## SET-UP DATA

### **Recommended set-up**

Spring Preload..... 17 mm.

### **Shock absorber data**

Length ..... 365 mm.

Stroke ..... 93 mm.

### **Spring**

### **Installed spring**

Part No ..... 60480-03

Free spring length... 200 mm.

Spring rate..... Prog 18-27 N/mm

Preload adj.range.... [0-37] mm

👁 Öhlins products are subject to continuous improvement and development, therefore, although these instructions include the most up-to-date information available at the time of printing, minor updates may occur.

To find the latest information contact an Öhlins distributor. Please contact Öhlins if you have any questions regarding the contents in this document.

Part no. MI-HO 953\_EN\_0  
Issued 2019-02-11

© Öhlins Asia Co. Ltd. All rights reserved. Any reprinting or unauthorized use without the written permission of Öhlins Racing AB is prohibited.

Öhlins Asia Co. Ltd  
700/937 Moo5, Tambol Nongkhaga,  
Amphur Phantong, Chonburi Province  
20160 Thailand



[www.ohlins.com](http://www.ohlins.com)