

**100 mm CNC Monobloc  
Radial Caliper P4 32/36**  
Code **XA7G240/41** (nickel coating)  
Code **XA7G210/11** (hard anodized)



**Spare Parts • Ricambi**

Bleeding screw cover /

Cappuccio vite spurgo

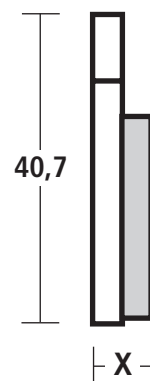
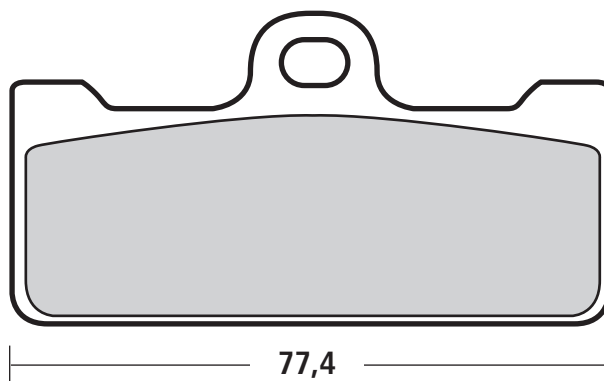
**05150220**

Bleeding screw / Vite spurgo

**05281221**

**Technical Characteristics • Caratteristiche Tecniche**

Pistons / Pistoni Ø	32 / 36 mm.
Construction Material / Materiale	CNC Aluminium / Alluminio CNC
Finishing / Finissaggio	Hard anod. - Nick. coat. / Anod. dura - Nichelata
Weight (with pads) / Massa (con pastiglie)	920 gr.
Brake Fluid / Fluido freni	DOT 4
Hardware / Viteria	Titanium / Titanio
Pistons / Pistoni	Titanium / Titanio
Center to center / Interasse	100 mm.
Offset / Offset	30 mm.



**Pads • Pastiglie**

Code	Performance	Life
<b>107684820</b>	•	•
Z01 Th = 8,35		
<b>M028Z04</b>	+	•
Z04 Th = 8		