

Radial CNC Monobloc Caliper P4 32/36 Code X973760/61

Spare Parts • Ricambi

Spindle / Perno
X101708

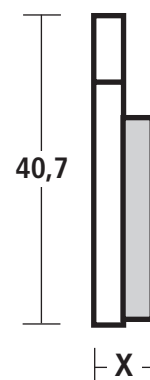
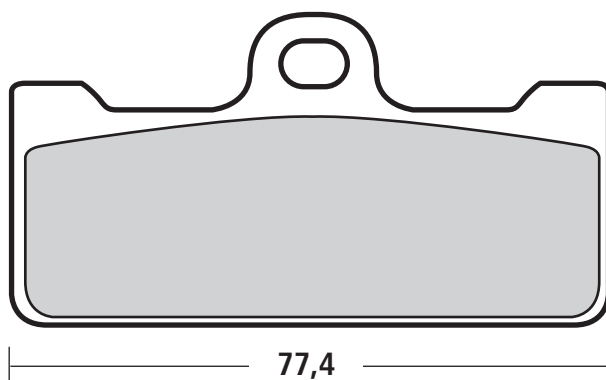
Pin / Copiglia
0545221

Bleeding screw / Vite spurgo
05281213



Technical Characteristics • Caratteristiche Tecniche

Pistons / Pistoni Ø	32 / 36 mm.
Construction Material / Materiale	CNC Aluminium / Alluminio CNC
Finishing / Finissaggio	Hard anodizing / Anodizzazione dura
Weight (without pads) / Massa (senza pastiglie)	649 gr.
Brake Fluid / Fluido freni	DOT 4
Hardware / Viteria	Titanium / Titanio
Pistons / Pistoni	Titanium / Titanio
Center to center / Interasse	108 mm.
Offset / Offset	22,5 mm.



Pads • Pastiglie

Code	Performance	Life
107684820	•	•
Z01 Th. = 8,35		
M029Z04	+	•
Z04 Th. = 8		