

## Radial CNC Caliper P4 32/36 Code XA3B860/61

### Spare Parts • Ricambi

Spindle / Perno

**20696450**

Pin / Copiglia

**05454232**

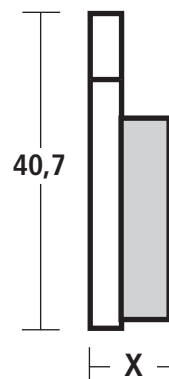
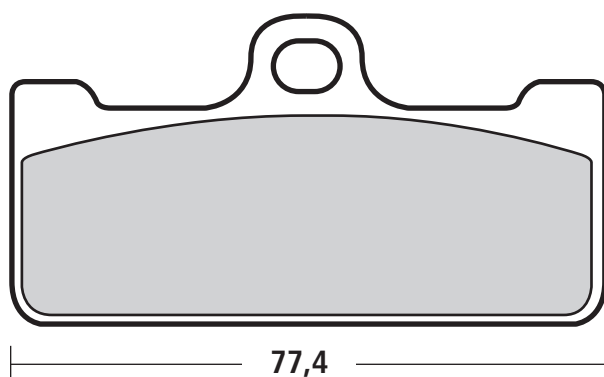
Bleeding screw / Vite spurgo

**05281213**



### Technical Characteristics • Caratteristiche Tecniche

Pistons / Pistoni Ø	32 / 36 mm.
Construction Material / Materiale	CNC Aluminium / Alluminio CNC
Finishing / Finissaggio	Hard anodizing / Anodizzazione dura
Weight (without pads) / Massa (senza pastiglie)	659 gr.
Brake Fluid / Fluido freni	DOT 4
Hardware / Viteria	Steel / Acciaio
Pistons / Pistoni	Aluminium / Alluminio
Center to center / Interasse	108 mm.
Offset / Offset	22,5 mm.



### Pads • Pastiglie

Code	Performance	Life
<b>107684830</b>	•	•
Z01 Th. = 8,4		
<b>M028Z04</b>	+	•
Z04 Th. = 8		