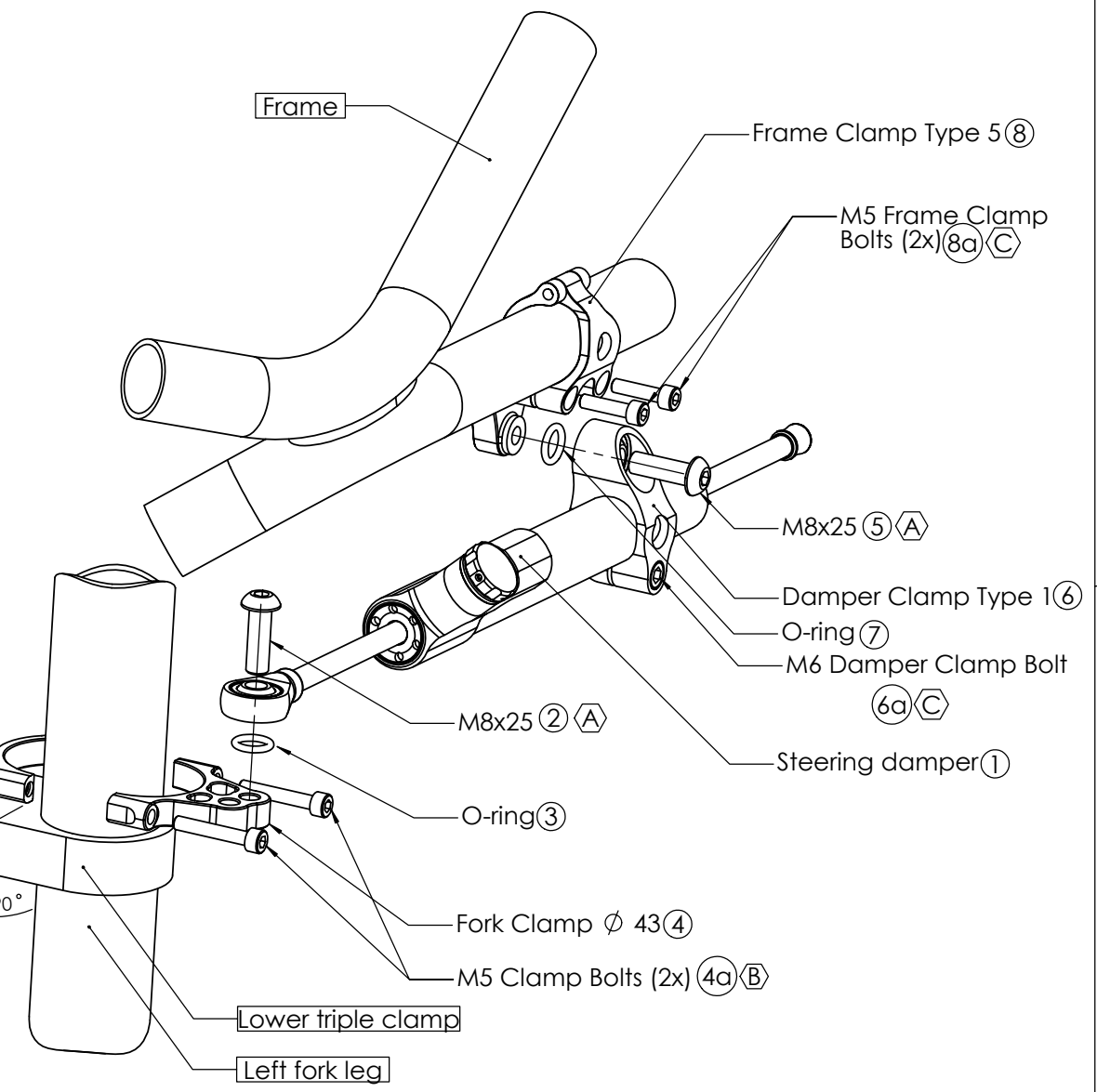
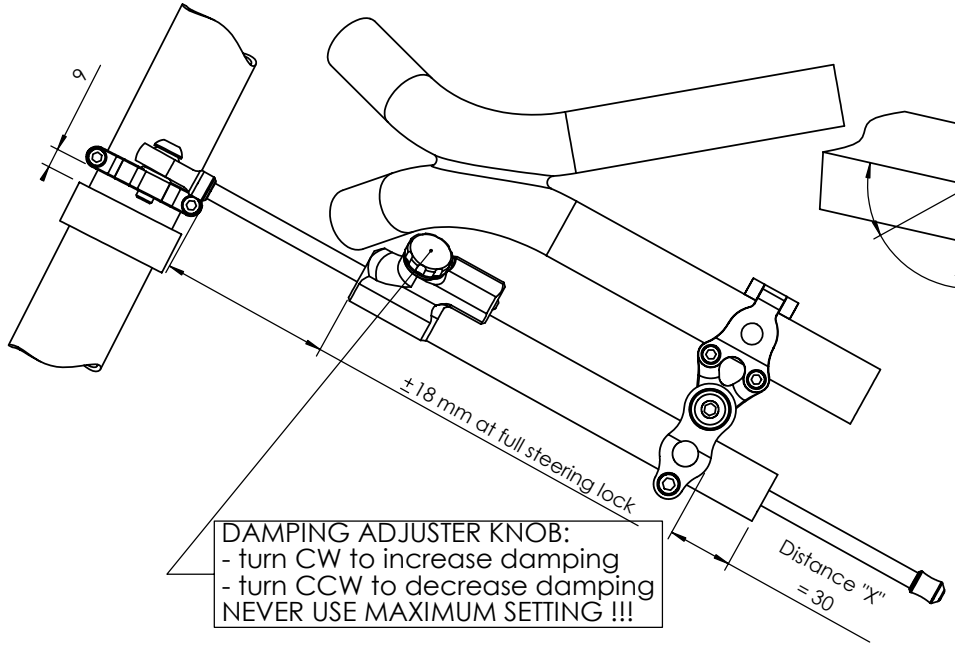


HYPHERPRO

STEERING DAMPER MOUNTING KIT for **BUELL M2 Model 1997 ->**

MK-BU12-S002 PART LIST			
SD stroke 160	1	-	-
Tube Clamp Type 1	1	-	-
Frame Clamp Type 5	1	-	-
Fork Clamp ϕ 43	1	-	-
O-Ring	2	-	-
M8x25 Button head	2	-	-
-	-	-	-
-	-	-	-

ALL IDEAS, DESIGNS ARRANGEMENTS AND PLANS INDICATED OR REPRESENTED BY THIS DRAWING ARE OWNED BY HYPERPRO AND WERE CREATED, EVOLVED AND DEVELOPED FOR USE ON AND IN CONNECTION WITH THE SPECIFIC PROJECT. NONE SUCH IDEAS, DESIGNS, ARRANGEMENTS OR PLANS SHALL BE USED BY OR DISCLOSED TO ANY PERSON, FIRM OR CORPORATION FOR ANY PURPOSE WHATSOEVER WITHOUT THE WRITTEN PERMISSION OF HYPERPRO.



**1
of 2**

(A)	14-17Nm / 124-150Lbs.In / 10.3-12.5Lbs.Ft
(B)	8Nm / 70Lbs.In / 5.9Lbs.Ft
(C)	6Nm / 53Lbs.In / 4.4Lbs.Ft

See WWW.HYPERPRO.COM for the latest pictures, modifications, specs. and e-drawings of this steering damper kit.

HYPERPRO

STEERING DAMPER MOUNTING KIT

for

BUELL M2 Model 1997 ->

MK-BU12-S002 INSTALLATION INSTRUCTIONS

In general:

HYPERPRO can not be held responsible in any way for any form of physical, material, financial or other damage arising from use, assembly or overhaul of HYPERPRO products. HYPERPRO reserves the right to make changes without prior notice.

This product is ONLY TO BE INSTALLED BY A PROFESSIONAL MECHANIC.

This product is only to be used for the motorcycle brand, model and year stated specifically on top of the pages of this manual.

DO NOT attempt to install this product on motorcycles from any different brand, model and/or year than stated on the pages of this manual.

DO NOT use this kit for cars, boats, jet-skis, snowmobiles, ATV's, aircraft, hovercrafts or any other vehicle and/or purpose.

HYPERPRO steering dampers are FOR RACE USE ONLY, NOT FOR HIGHWAY USE!

Before installation:

- Please read the entire manual carefully before starting the installation!
- Check if you have all the tools required. Good tools are a must.
- Protect your bike at the most important places in and around the work area (e.g. tank, fairing, frame, etc.), with a blanket, towel or similar.

During installation:

- Check all operations and parts carefully before, during and after performing each step.
- Clean all surfaces that are required for fitting parts together or for applying self adhesives or loctite, thoroughly with contact cleaner or another degreaser, unless otherwise stated.
- Be careful not to damage or scratch any part of your bike.
- ALWAYS work relaxed and concentrated!! It is very easy to damage something or make a mistake.

After installation:

- Check and make sure that there is no contact between any part of the steering damper kit and any part of the motorcycle. The kit should not hit anything. Steering movement should not be limited by the steering damper. If the steering movement is limited, adjust the position of the tube in the clamp until steering movement is normal again. Do not forget to tighten the clamp bolt again!
- ALWAYS check the steering movement and feeling before each ride!
- FIRST RIDES: Start with the damper turned fully open (turn adjuster knob fully counter clockwise). Start adjusting in between rides with steps of MAX. 2 CLICKS (0.25 TURN) EACH TIME, until the damper is working satisfactory for your riding style.
- NEVER USE MAXIMUM SETTING, ALWAYS OPEN AT LEAST 2 CLICKS (0.25 TURN).

- WARNING ! DAMPER HAS AN ACTIVE / SPEEDSENSITIVE DAMPING SYSTEM;
 - Steering with NORMAL MOVEMENT should be FREE !!
 - Steering with FAST MOVEMENT should be CONTROLLED BY DAMPER !!
- HYPERPRO uses a special seal to reduce friction. The seal uses an oil film to work properly. It is normal that some oil can appear on the pistonrod.
- Damper works with oil: DAMPING CAN BE HARDER AT LOWER TEMPERATURES!



Step 1: Damper & clamp pre-assembly

- Steering damper (1)
- Damper clamp Type 1 (6)
- Bolt M8x25 Button head (2)
- O-Ring (3)
- Fork Clamp (4)

Loosen the clamp bolt (6a) of the damper clamp (6) and shove it carefully over the steering damper's tube (1). Make sure it is assembled according to the pictures on page 1. Position the clamp at distance "X" (= 20 mm) and the damper body at the correct angle and tighten the clamp bolt with a torque of approximately 6Nm/53Lbs.In/4.4Lbs.Ft.

Fit clamp (4) to the balljoint of the steering damper (1) using the M8x25 bolt (2) and O-Ring (3). Make sure it is assembled according to the pictures on page 1. Use the other most hole. Next tighten the bolt with a torque of approx. 14-17Nm/124-150Lbs.In/10.3-12.5Lbs.Ft.

Step 2: installing the fork clamp

- Damper Assembly from Step 1

Disassemble the fork clamp. Place the fork clamp (4) on the left fork leg, 9 mm above the lower triple clamp. Point the fork clamp to the left, perpendicular to the driving direction (see angle on page 1). Fit the M5 bolts (4a) and tighten them lightly and evenly with a torque of approx. 8Nm/70Lbs.In/5.9Lbs.Ft.

Step 3: fitting the damper to the frame

- Damper pre-assembly (from Step 1)
- Bolt M8x25 (5)
- O-Ring (7)
- Frame Clamp Type 5 (8)

Loosen the frame clamp bolts (8a) and put the frame clamp type 5 (8) around the frame according to the picture on page 1. Lightly mount the damper pre-assembly to the frame clamp using bolt M8x25 (5) and o-ring (7). Do not tighten bolt M8x25 (5) yet. Check if the ball joint is approx. 18 mm from the damper tube when the bike is fully steered to the left. Tighten the frame clamp bolts (8a) with a torque of approximately 6Nm/53Lbs.In/4.4Lbs.Ft. Next tighten the bolt M8x25 (5) with a torque of approx. 14-17Nm/124-150Lbs.In/10.3-12.5Lbs.Ft.

Check if the damper does not touch anything when steering from left to right. Check if the bike can make its full steering angle from left to right, without being obstructed by the damper. If necessary re-position the clamp and re-tighten the bolts.

See WWW.HYPERPRO.COM for the latest pictures, modifications, specs. and e-drawings of this steering damper kit.