

# HYPERPRO

## LOWERING KIT / VERLAGINGSSET

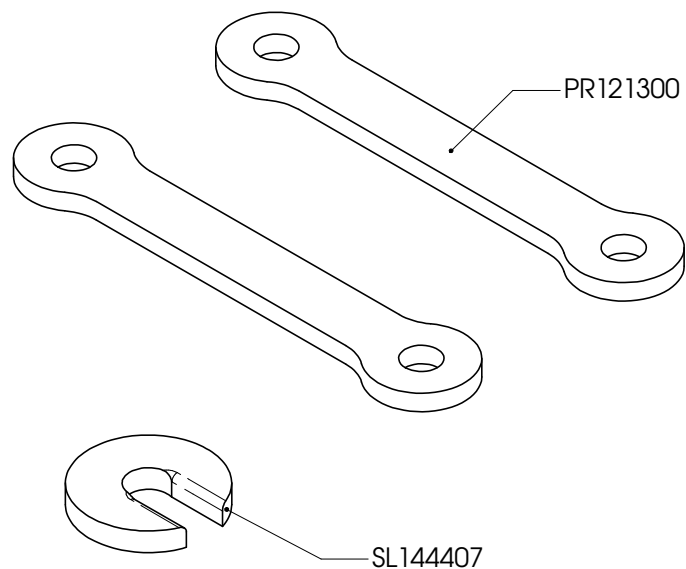
for

## SUZUKI GSX-R 1300 HAYABUSA Models '08->

### LK-SU13-002-30 PART LIST

PR121300 - Pull rod/ trekstang	2
SL144407 - Stroke limiter/ Slagbepker	1
-	-
-	-

ALL IDEAS, DESIGNS ARRANGEMENTS AND PLANS INDICATED OR REPRESENTED BY THIS DRAWING ARE OWNED BY HYPERPRO AND WERE CREATED, EVOLVED AND DEVELOPED FOR USE ON AND IN CONNECTION WITH THE SPECIFIC PROJECT. NONE SUCH IDEAS, DESIGNS, ARRANGEMENTS OR PLANS SHALL BE USED BY OR DISCLOSED TO ANY PERSON, FIRM OR CORPORATION FOR ANY PURPOSE WHATSOEVER WITHOUT THE WRITTEN PERMISSION OF HYPERPRO.



### Inbouw handleiding

#### VOORZIJD

De veervoorspanning minimaal zetten (tegen de klok in draaien).  
De luchtkamer reduceren als de vork wil doorslaan.

#### ACHTERZIJD

De bestaande trekstangen vervangen door de HYPERPRO trekstangen.  
Plaats de slagbepker boven op het aanslagrubber van de schokdemper  
Het achterwiel eerst belasten voordat de link vastgezet word.

LET OP! DE LENGTE VAN DE ZIJSTANDAARD MOET 15-20mm INGEKORT WORDEN.

### Instruction manual

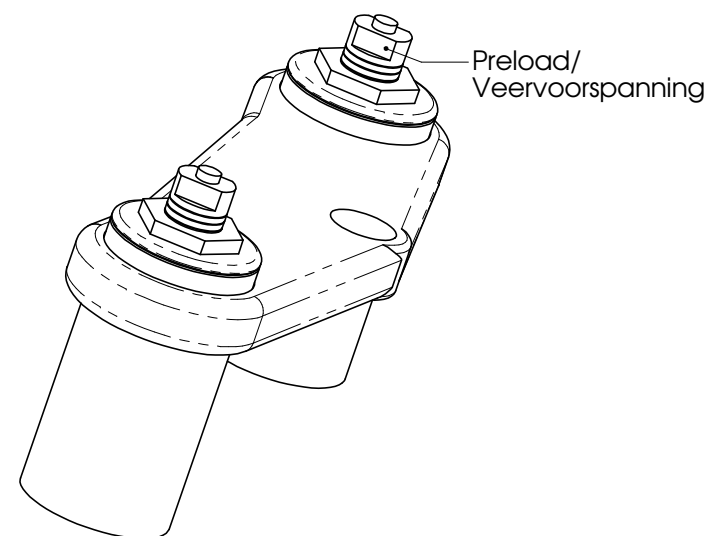
#### FRONT

Turn the preload adjuster to minimum preload (counter clockwise).  
Reduce the air chamber if the fork hits the end of its stroke.

#### REAR

Replace the original pull rods with the HYPERPRO lowering pull rods.  
Place the stroke limiter on top of the bump rubber of the shock.  
Put some pressure on the rear wheel before tightening the link.

WARNING! SHORTEN THE SIDE-STAND 15-20mm.



See [WWW.HYPERPRO.COM](http://WWW.HYPERPRO.COM) for more info about our products.