

HYPERPRO

LOWERING KIT / VERLAGINGSSET

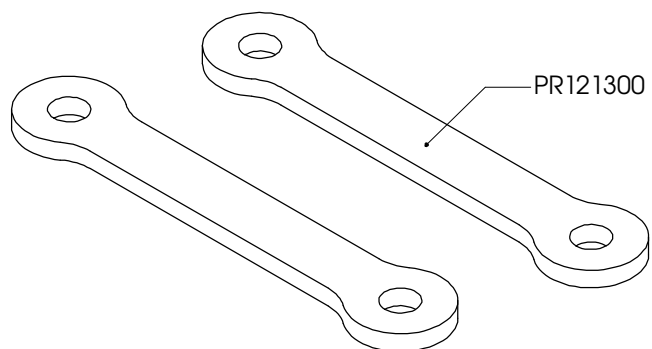
for

SUZUKI GSX-R 1300 HAYABUSA Models '99>

LK-SU13-001-30 PART LIST

PR121300 - Pull rod/ trekstang	2
-	-
-	-
-	-

ALL IDEAS, DESIGNS, ARRANGEMENTS AND PLANS INDICATED OR REPRESENTED BY THIS DRAWING ARE OWNED BY HYPERPRO AND WERE CREATED, EVOLVED AND DEVELOPED FOR USE ON AND IN CONNECTION WITH THE SPECIFIC PROJECT. NONE SUCH IDEAS, DESIGNS, ARRANGEMENTS OR PLANS SHALL BE USED BY OR DISCLOSED TO ANY PERSON, FIRM OR CORPORATION FOR ANY PURPOSE WHATSOEVER WITHOUT THE WRITTEN PERMISSION OF HYPERPRO.



Inbouw handleiding

VOORZIJDE

De veervoorspanning minimaal zetten (tegen de klok in draaien).
De luchtkamer reduceren als de vork wil doorslaan.

ACHTERZIJDE

De bestaande trekstangen vervangen door de HYPERPRO trekstangen.
Het achterwiel eerst belasten voordat de link vastgezet wordt.

LET OP! DE LENGTE VAN DE ZIJSTANDAARD MOET 15-20mm INGEKORT WORDEN.

Instruction manual

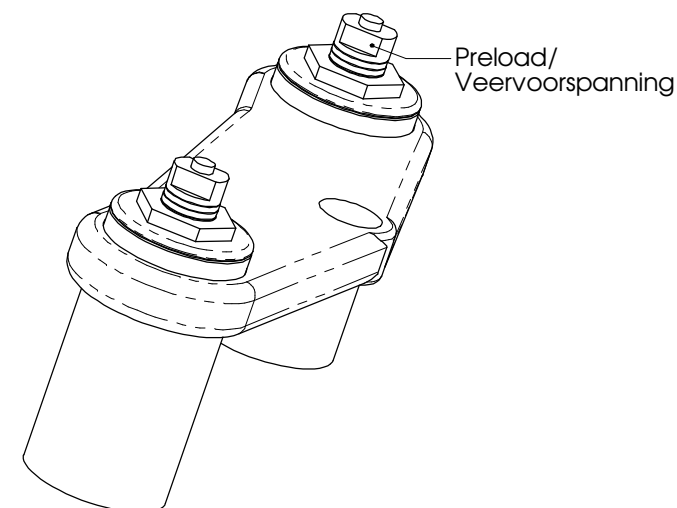
FRONT

Turn the preload adjuster to minimum preload (counter clockwise).
Reduce the air chamber if the fork hits the end of its stroke.

REAR

Replace the original pull rods with the HYPERPRO lowering pull rods.
Put some pressure on the rear wheel before tightening the link.

WARNING! SHORTEN THE SIDE-STAND 15-20mm.



See WWW.HYPERPRO.COM for more info about our products.