

HYPERPRO

LOWERING KIT / VERLAGINGSSET

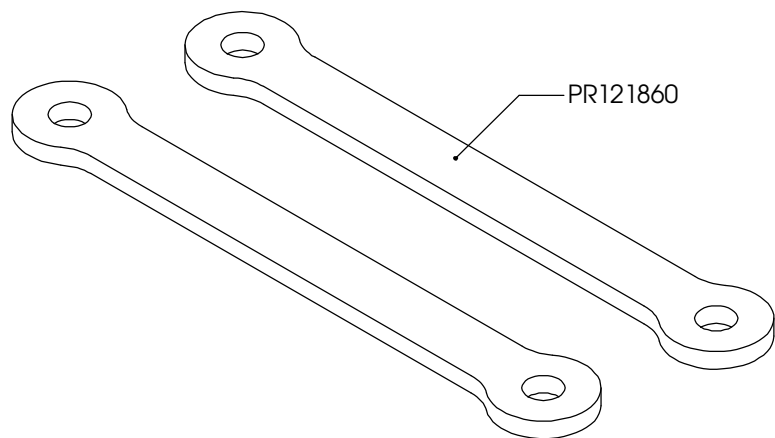
for

SUZUKI GSF 1250 BANDIT Models '07> (WVCH)

LK-SU12-003-30 PART LIST

| | |
|--------------------------------|---|
| PR121860 - Pull rod/ trekstang | 2 |
| - | - |
| - | - |
| - | - |

ALL IDEAS, DESIGNS, ARRANGEMENTS AND PLANS INDICATED OR REPRESENTED BY THIS DRAWING ARE OWNED BY HYPERPRO AND WERE CREATED, EVOLVED AND DEVELOPED FOR USE ON AND IN CONNECTION WITH THE SPECIFIC PROJECT. NONE SUCH IDEAS, DESIGNS, ARRANGEMENTS OR PLANS SHALL BE USED BY OR DISCLOSED TO ANY PERSON, FIRM OR CORPORATION FOR ANY PURPOSE WHATSOEVER WITHOUT THE WRITTEN PERMISSION OF HYPERPRO.



Inbouw handleiding

VOORZIJD

De vorkpoten maximaal 7mm door de bovenste kroonplaat heen steken. De veer-voorspanning minimaal zetten (tegen de klok in draaien). De luchtkamer reduceren als de vork wil doorslaan.

ACHTERZIJD

De bestaande trekstangen vervangen door de HYPERPRO trekstangen. Het achterwiel eerst belasten voordat de link vastgezet wordt.

LET OP! DE LENGTE VAN DE ZIJSTANDAARD MOET 15-20mm INGEKORT WORDEN. AFTERMARKET ACHTERSPPATBORDEN KUNNEN NIET MEER WORDEN TOEGEPAST.

Instruction manual

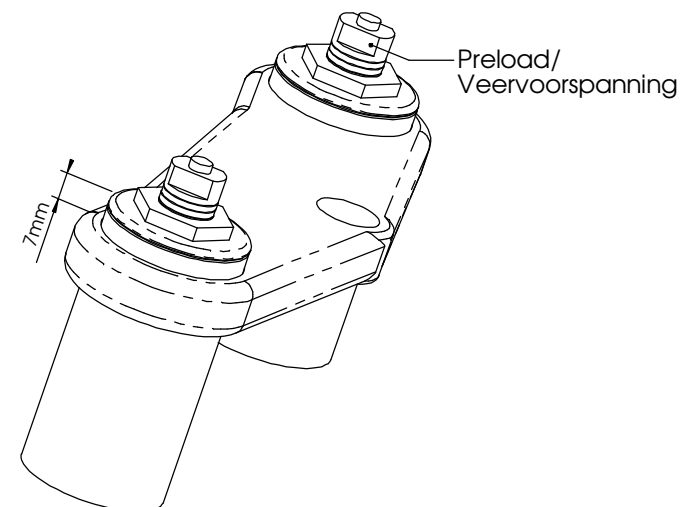
FRONT

Mount the fork legs max 7mm through the triple clamp. Turn the preload adjuster to minimum preload (counter clockwise). Reduce the air chamber if the fork hits the end of its stroke.

REAR

Replace the original pull rods with the HYPERPRO lowering pull rods. Put some pressure on the rear wheel before tightening the link.

WARNING! SHORTEN THE SIDE-STAND 15-20mm.
AFTERMARKET REAR MUDGUARDS CAN NO LONGER BE USED.



See WWW.HYPERPRO.COM for more info about our products.