

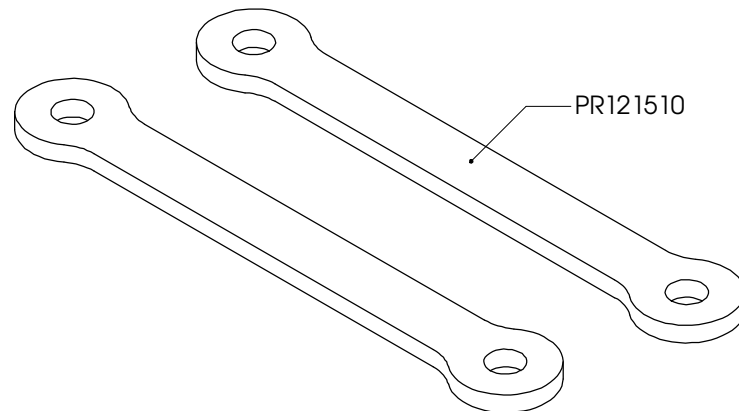
HYPERPRO

LOWERING KIT / VERLAGINGSSET for SUZUKI DL 1000 V-STROM '02 >

LK-SU10-002-30 PART LIST

PR121510 - Pull rod/ trekstang	2
-	-
-	-
-	-

ALL IDEAS, DESIGNS, ARRANGEMENTS AND PLANS INDICATED OR REPRESENTED BY THIS DRAWING ARE OWNED BY HYPERPRO AND WERE CREATED, EVOLVED AND DEVELOPED FOR USE ON AND IN CONNECTION WITH THE SPECIFIC PROJECT. NONE SUCH IDEAS, DESIGNS, ARRANGEMENTS OR PLANS SHALL BE USED BY OR DISCLOSED TO ANY PERSON, FIRM OR CORPORATION FOR ANY PURPOSE WHATSOEVER WITHOUT THE WRITTEN PERMISSION OF HYPERPRO.



Inbouw handleiding

VOORZIJDE

De vorkpoten maximaal 27 mm door de bovenste kroonplaat heen steken.

ACHTERZIJDE

De bestaande trekstangen vervangen door de HYPERPRO trekstangen.
Het achterwiel eerst belasten voordat de link vastgezet word.

LET OP! DE LENGTE VAN DE ZIJSTANDAARD MOET 15-20mm INGEKORT WORDEN.
VERWIJDER DE MIDDENBOK

Instruction manual

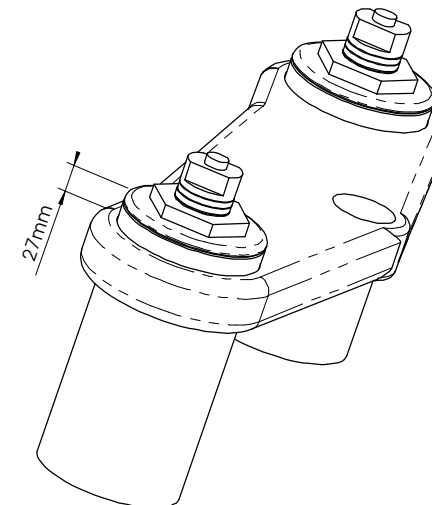
FRONT

Mount the fork legs max 27mm through the triple clamp.

REAR

Replace the original pull rods by the HYPERPRO lowering pull rods.
Put some pressure on the rear wheel before tightening the link.

WARNING! SHORTEN THE SIDE-STAND 15-20mm.
REMOVE THE CENTER STAND.



See WWW.HYPERPRO.COM for more info about our products.