

HYPERPRO

LOWERING KIT / VERLAGINGSSET

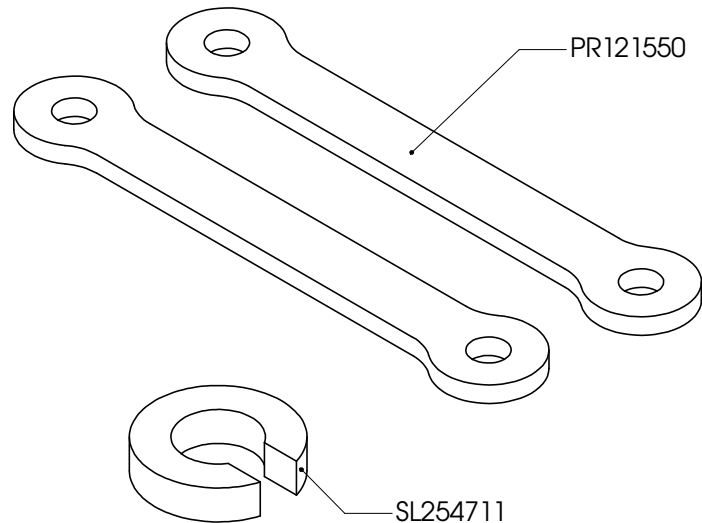
for

SUZUKI SV 650 Models '03>

LK-SU06-011-30 PART LIST

PR121550 - Pull rod/ trekstang	2
SL254711 - Stroke limiter/ slagbeperker	1
-	-
-	-

ALL IDEAS, DESIGNS ARRANGEMENTS AND PLANS INDICATED OR REPRESENTED BY THIS DRAWING ARE OWNED BY HYPERPRO AND WERE CREATED, EVOLVED AND DEVELOPED FOR USE ON AND IN CONNECTION WITH THE SPECIFIC PROJECT. NONE SUCH IDEAS, DESIGNS, ARRANGEMENTS OR PLANS SHALL BE USED BY OR DISCLOSED TO ANY PERSON, FIRM OR CORPORATION FOR ANY PURPOSE WHATSOEVER WITHOUT THE WRITTEN PERMISSION OF HYPERPRO.



See WWW.HYPERPRO.COM for more info about our products.

Inbouw handleiding

VOORZIJD

De vorkpoten maximaal 5mm door de bovenste kroonplaat heen steken. De veer-voorspanning minimaal zetten (tegen de klok in draaien). De luchtkamer reduceren als de vork wil doorslaan.

ACHTERZIJD

De bestaande trekstangen vervangen door de HYPERPRO trekstangen. De slagbeperker onder het aanslagrubber van de schokbreker plaatsen. Het achterwiel eerst belasten voordat de link vastgezet word.

LET OP! DE LENGTE VAN DE ZIJSTANDAARD MOET 15-20mm INGEKORT WORDEN.

Instruction manual

FRONT

Mount the fork legs max 5mm through the triple clamp. Turn the preload adjuster to minimum preload (counter clockwise). Reduce the air chamber if the fork hits the end of its stroke.

REAR

Replace the original link by the HYPERPRO lowering link. Put the strokelimiter under the bump rubber of the rear shock. Put some pressure on the rear wheel before tightening the link.

WARNING! SHORTEN THE SIDE-STAND 15-20mm.

