

# HYPERPRO

## LOWERING KIT / VERLAGINGSSET

for

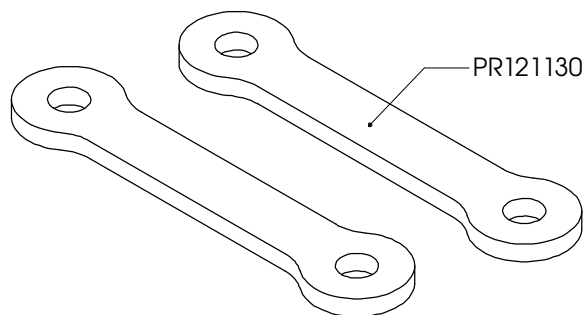
### SUZUKI SV 650

### Models '99-'02

#### LK-SU06-010-30 PART LIST

PR121130 - Pull rod/ trekstang	2
-	-
-	-
-	-

ALL IDEAS, DESIGNS, ARRANGEMENTS AND PLANS INDICATED OR REPRESENTED BY THIS DRAWING ARE OWNED BY HYPERPRO AND WERE CREATED, EVOLVED AND DEVELOPED FOR USE ON AND IN CONNECTION WITH THE SPECIFIC PROJECT. NONE SUCH IDEAS, DESIGNS, ARRANGEMENTS OR PLANS SHALL BE USED BY OR DISCLOSED TO ANY PERSON, FIRM OR CORPORATION FOR ANY PURPOSE WHATSOEVER WITHOUT THE WRITTEN PERMISSION OF HYPERPRO.



### Inbouw handleiding

#### VOORZIJD

De vorkpoten maximaal 8mm door de bovenste kroonplaat heen steken.

#### ACHTERZIJD

De bestaande trekstangen vervangen door de HYPERPRO trekstangen. Het achterwiel eerst belasten voordat de link vastgezet wordt.

LET OP! DE LENGTE VAN DE ZIJSTANDAARD MOET 15-20mm INGEKORT WORDEN. AFTERMARKET ACHTERSPATBORDEN KUNNEN NIET MEER WORDEN TOEGEPAST.

### Instruction manual

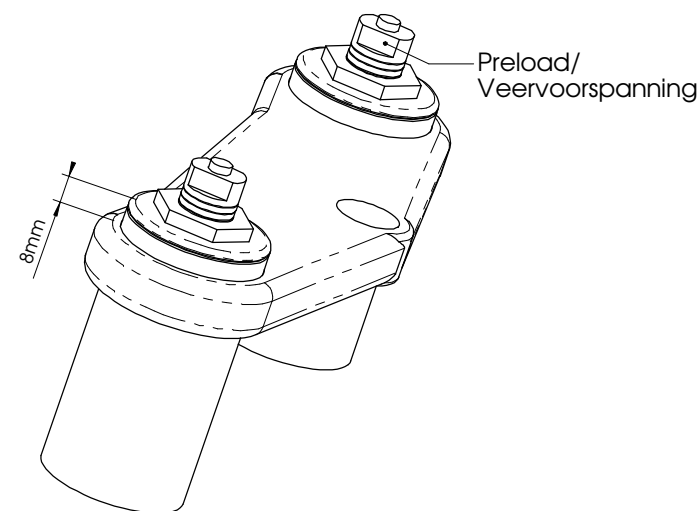
#### FRONT

Mount the fork legs max 8mm through the triple clamp.

#### REAR

Replace the original link by the HYPERPRO lowering link. Put some pressure on the rear wheel before tightening the link.

WARNING! SHORTEN THE SIDE-STAND 15-20mm. AFTERMARKET MUDGUARDS CAN NO LONGER BE USED.



See [WWW.HYPERPRO.COM](http://WWW.HYPERPRO.COM) for more info about our products.