

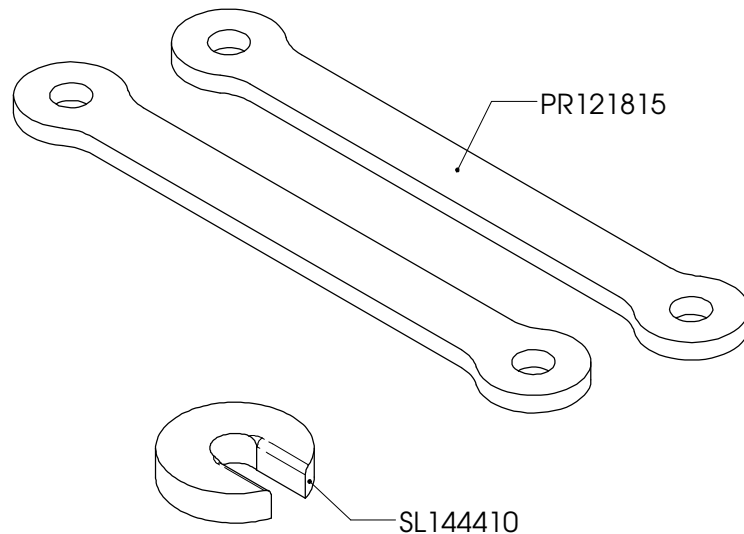
HYPERPRO

LOWERING KIT / VERLAGINGSSET for SUZUKI GSF 600 BANDIT Models '00-'04

LK-SU06-002-30 PART LIST

PR121815 - Pull rod/ trekstang	2
SL144410 - Stroke limiter/ slagbeperker	1
-	-
-	-

ALL IDEAS, DESIGNS, ARRANGEMENTS AND PLANS INDICATED OR REPRESENTED BY THIS DRAWING ARE OWNED BY HYPERPRO AND WERE CREATED, EVOLVED AND DEVELOPED FOR USE ON AND IN CONNECTION WITH THE SPECIFIC PROJECT. NONE SUCH IDEAS, DESIGNS, ARRANGEMENTS OR PLANS SHALL BE USED BY OR DISCLOSED TO ANY PERSON, FIRM OR CORPORATION FOR ANY PURPOSE WHATSOEVER WITHOUT THE WRITTEN PERMISSION OF HYPERPRO.



Inbouw handleiding

VOORZIJD

De vorkpoten maximaal 20mm door de bovenste kroonplaat heen steken.

ACHTERZIJD

De bestaande trekstangen vervangen door de HYPERPRO trekstangen.
De slagbeperker boven op het aanslagrubber van de schokbreker plaatsen.
Het achterwiel eerst belasten voordat de link vastgezet word.

LET OP! DE LENGTE VAN DE ZIJSTANDAARD MOET 15-20mm INGEKORT WORDEN.

Instruction manual

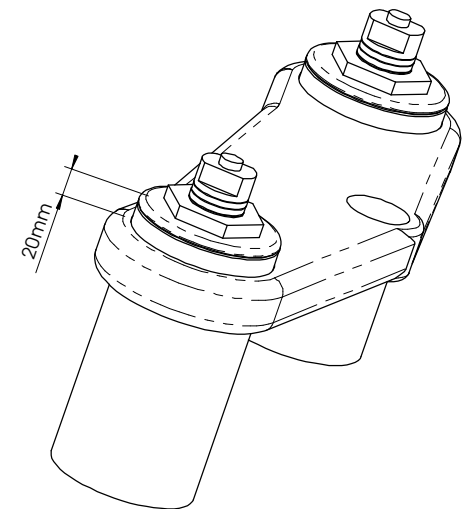
FRONT

Mount the fork legsmax 20mm through the triple clamp.

REAR

Replace the original pull rods with the HYPERPRO lowering pull rods.
Put the stroke limiter on top of the bump rubber of the shock.
Put some pressure on the rear wheel before tightening the link.

WARNING! SHORTEN THE SIDE-STAND 15-20mm.



See WWW.HYPERPRO.COM for more info about our products.