

HYPERPRO

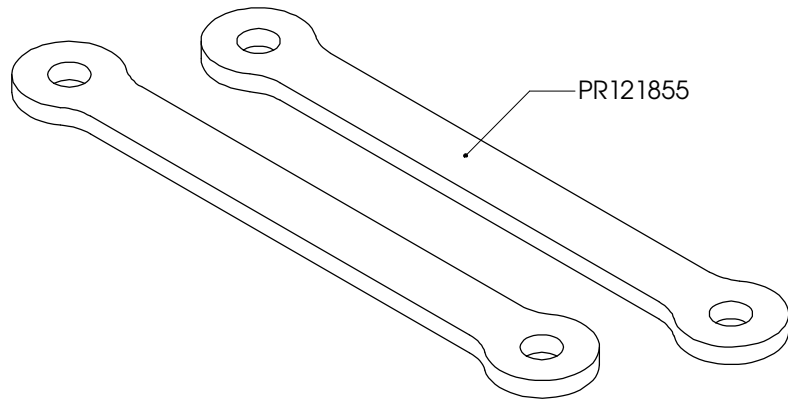
LOWERING KIT / VERLAGINGSSET for

SUZUKI GS 500 E (GM 51 B) '89-'00 SUZUKI GS 500 (WVKB) '01>

LK-SU05-001-30 PART LIST

PR121855 - Pull rods / trekstangen	2
-	-
-	-
-	-

ALL IDEAS, DESIGNS, ARRANGEMENTS AND PLANS INDICATED OR REPRESENTED BY THIS DRAWING ARE OWNED BY HYPERPRO AND WERE CREATED, EVOLVED AND DEVELOPED FOR USE ON AND IN CONNECTION WITH THE SPECIFIC PROJECT. NONE SUCH IDEAS, DESIGNS, ARRANGEMENTS OR PLANS SHALL BE USED BY OR DISCLOSED TO ANY PERSON, FIRM OR CORPORATION FOR ANY PURPOSE WHATSOEVER WITHOUT THE WRITTEN PERMISSION OF HYPERPRO.



Inbouw handleiding

VOORZIJDJE

Bij (GM 51 B) de vorkpoten maximaal 20 mm door de bovenste kroonplaat heen steken.

Bij (WVKB) voorspanbussen 20 mm inkorten. Olie niveau naar 50mm brengen (gemeten met de poten ingedrukt, met veer zonder bus).

ACHTERZIJDJE

De bestaande link vervangen door de HYPERPRO verlagingslink.
Het achterwiel eerst belasten voordat de link vastgezet word.

LET OP! DE LENGTE VAN DE ZIJSTANDAARD MOET 15-20mm INGEKORT WORDEN.

Instruction manual

FRONT

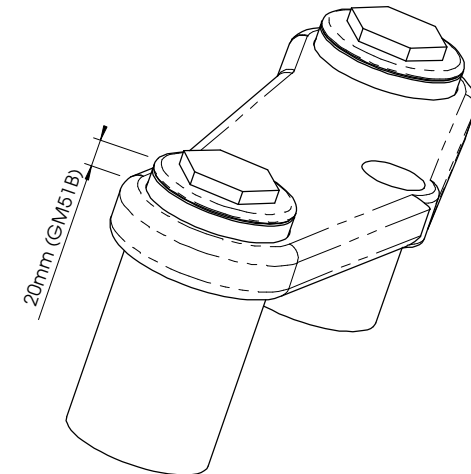
For (GM 51 B). Mount the fork legs max 20mm through the triple clamp.

For (WVKB). Shorten the spring preload spacers with 20mm. Reduce oil level to 50mm (measured with the forklegs pressed, with spring, without spacer).

REAR

Replace the original link by the HYPERPRO lowering link.
Put some pressure on the rear wheel before tightening the link.

WARNING! SHORTEN THE SIDE-STAND 15-20mm.



See WWW.HYPERPRO.COM for more info about our products.