

HYPERPRO

LOWERING KIT / VERLAGINGSSET

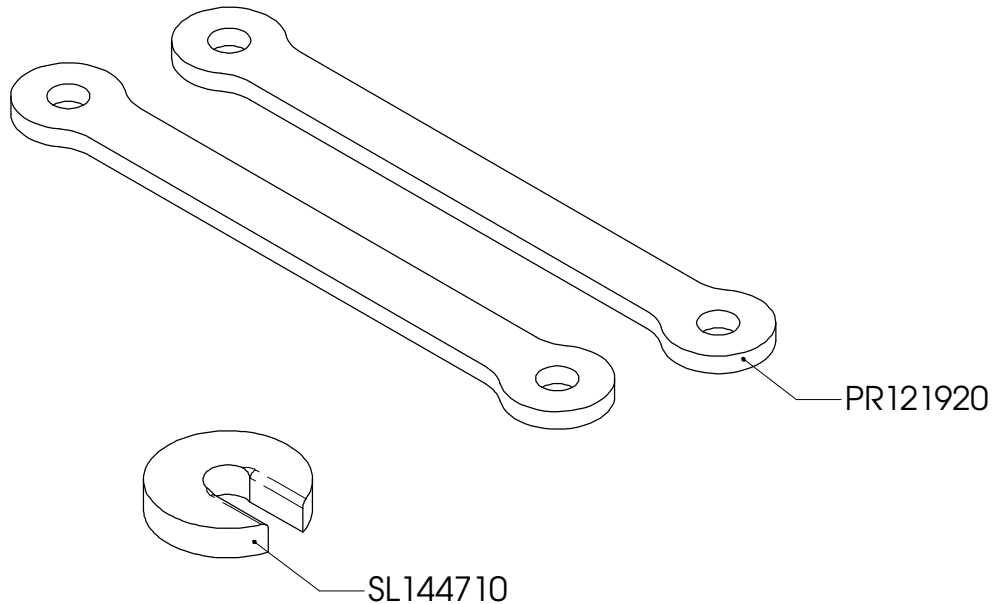
for

KAWASAKI Z 750 Models '04>

LK-KA07-001-30 PART LIST

PR121920 - Pull rod/ trekstang	2
SL144710 - Stroke limiter/ slagbeperker	1
-	-
-	-

ALL IDEAS, DESIGNS, ARRANGEMENTS AND PLANS INDICATED OR REPRESENTED BY THIS DRAWING ARE OWNED BY HYPERPRO AND WERE CREATED, EVOLVED AND DEVELOPED FOR USE ON AND IN CONNECTION WITH THE SPECIFIC PROJECT. NONE SUCH IDEAS, DESIGNS, ARRANGEMENTS OR PLANS SHALL BE USED BY OR DISCLOSED TO ANY PERSON, FIRM OR CORPORATION FOR ANY PURPOSE WHATSOEVER WITHOUT THE WRITTEN PERMISSION OF HYPERPRO.



Inbouw handleiding

VOORZIJDE

De vorkpoten maximaal 10mm door de kroonplaat heen steken.

ACHTERZIJDE

De bestaande trekstangen vervangen door de HYPERPRO trekstangen. Het achterwiel eerst belasten voordat de link vastgezet wordt. Plaats de slagbeperker bovenop het bumprubber van de schokdemper.

LET OP! DE LENGTE VAN DE ZIJSTANDAARD MOET 15-20mm INGEKORT WORDEN.
AFTERMARKET SPATBORDEN KUNNEN NIET TOEGEPAST WORDEN.

Instruction manual

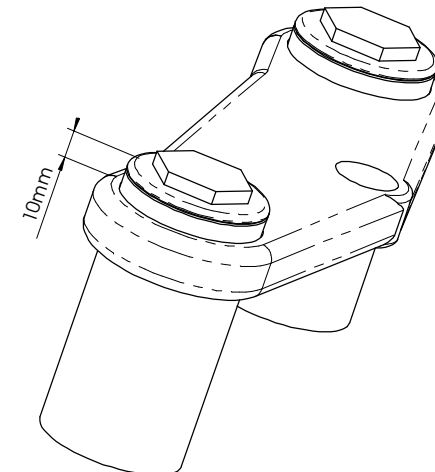
FRONT

Mount the forklegs max 10mm through the triple clamp.

REAR

Replace the original pull rods with the HYPERPRO lowering pull rods. Put some pressure on the rear wheel before tightening the link. Place the strokelimiter on top of the bump rubber of the shock.

WARNING! SHORTEN THE SIDE-STAND 15-20mm.
AFTERMARKET REAR MUDGUARDS CAN NO LONGER BE USED.



See WWW.HYPERPRO.COM for more info about our products.