

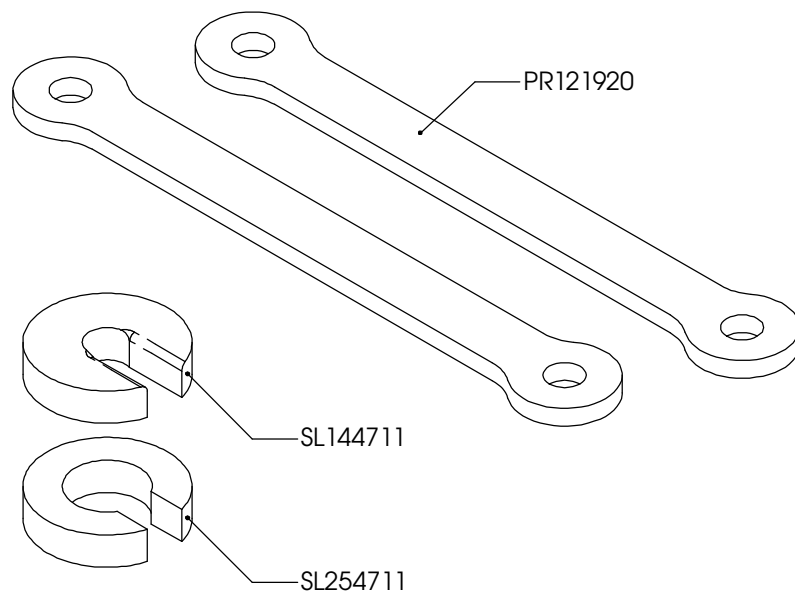
# HYPERPRO

## LOWERING KIT / VERLAGINGSSET for KAWASAKI ZX6-R (636) NINJA Models '07>

### LK-KA06-007-30 PART LIST

PR121920 - Pull rods/ trekstangen	2
SL144711 - Stroke limiter/ slagbeperker	1
SL254711 - Stroke limiter/ slagbeperker	1
-	-

ALL IDEAS, DESIGNS, ARRANGEMENTS AND PLANS INDICATED OR REPRESENTED BY THIS DRAWING ARE OWNED BY HYPERPRO AND WERE CREATED, EVOLVED AND DEVELOPED FOR USE ON AND IN CONNECTION WITH THE SPECIFIC PROJECT. NONE SUCH IDEAS, DESIGNS, ARRANGEMENTS OR PLANS SHALL BE USED BY OR DISCLOSED TO ANY PERSON, FIRM OR CORPORATION FOR ANY PURPOSE WHATSOEVER WITHOUT THE WRITTEN PERMISSION OF HYPERPRO.



### Inbouw handleiding

#### VOORZIJDE

Doorsteken van de vorkpoten is niet mogelijk.

#### ACHTERZIJDE

Verwijder de bestaande trekstangen en verwijder de schokdemper. Verwijder de veer van de schokdemper met professioneel gereedschap. Plaats de slagbepers onder het bumprubber. Monteer de veer en plaats de schokdemper terug in de motor, met de HYPERPRO trekstangen. Het achterwiel eerst belasten voordat de link vastgezet word.

LET OP! DE LENGTE VAN DE ZIJSTANDAARD MOET ca.15mm INGEKORT WORDEN. AFTERMARKET ACHTERSPATBORDEN KUNNEN NIET MEER WORDEN TOEGEPAST.

### Instruction manual

#### FRONT

It is not possible to adjust the height of the fork legs through the top yoke.

#### REAR

Remove the original pull rods and the shock. Remove the spring from the shock. Place the stroke limiters under the bump rubber. Install the spring and install the shock in the bike, using the HYPERPRO lowering pull rods. Put some pressure on the rear wheel before tightening the link.

WARNING! SHORTEN THE SIDE-STAND approx.15mm.  
AFTERMARKET REAR MUDGUARDS CAN NO LONGER BE USED.

See [WWW.HYPERPRO.COM](http://WWW.HYPERPRO.COM) for more info about our products.