

HYPERPRO

LOWERING KIT / VERLAGINGSSET

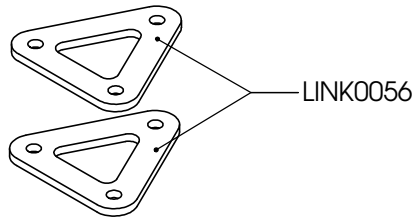
for

HONDA CBR500R CB500F CB500X Models 2013

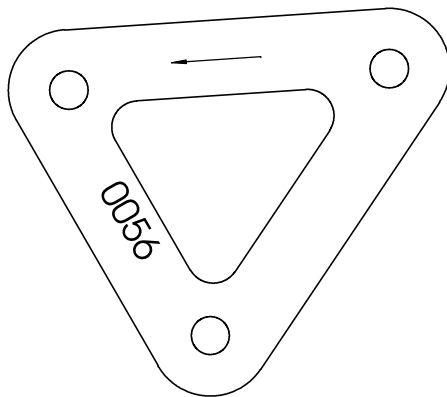
LK-HO05-002-20 PART LIST

LINK0056 - Lowering link/ verlagingslink	2
-	-
-	-
-	-

ALL IDEAS, DESIGNS ARRANGEMENTS AND PLANS INDICATED OR REPRESENTED BY THIS DRAWING ARE OWNED BY HYPERPRO AND WERE CREATED, EVOLVED AND DEVELOPED FOR USE ON AND IN CONNECTION WITH THE SPECIFIC PROJECT. NONE SUCH IDEAS, DESIGNS, ARRANGEMENTS OR PLANS SHALL BE USED BY OR DISCLOSED TO ANY PERSON, FIRM OR CORPORATION FOR ANY PURPOSE WHATSOEVER WITHOUT THE WRITTEN PERMISSION OF HYPERPRO.



LINK0056



Inbouw handleiding

VOORZIJDE

CB500F: De vorkpoten maximaal 10 mm verder dan origineel door de bovenste kroonplaat heen steken. De luchtkamer reduceren als de vork wil doorslaan.

ACHTERZIJDE

De bestaande links vervangen door de meegeleverde verlagingslinks. Let er hierbij op dat de pijl bovenaan in de rijrichting wijst.
Het achterwiel eerst belasten voordat de link vastgezet word.

LET OP! AFTERMARKET SPATBORDEN KUNNEN NIET TOEGEPAST WORDEN.

Instruction manual

FRONT

CB500F: Mount the fork legs max 10mm further than original through the triple clamp. Reduce the air chamber if the fork hits the end of its stroke.

REAR

Replace the original links by the supplied lowering links. Make sure the arrow is above and pointing in the riding direction.
Put some pressure on the rear wheel before tightening the link.

WARNING! AFTERMARKET REAR MUDGUARDS CAN NO LONGER BE USED.

