

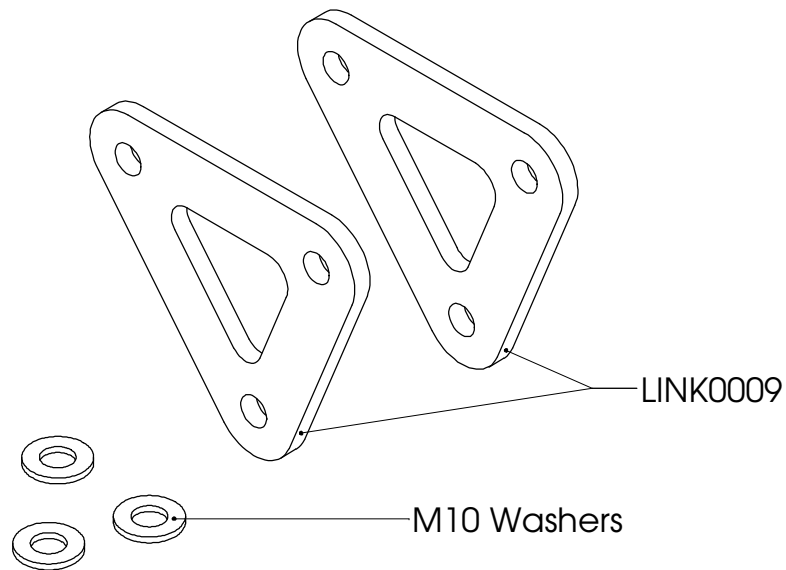
HYPERPRO

TAIL RAISER KIT / VERHOOGINGSSET for **HONDA CBR 1100 XX** **Models '97>**

HK-HO11-001-20 PART LIST

LINK0009 - Lowering link/ verlagingslink	2
M10 Washers/ ringen	3
-	-
-	-

ALL IDEAS, DESIGNS, ARRANGEMENTS AND PLANS INDICATED OR REPRESENTED BY THIS DRAWING ARE OWNED BY HYPERPRO AND WERE CREATED, EVOLVED AND DEVELOPED FOR USE ON AND IN CONNECTION WITH THE SPECIFIC PROJECT. NONE SUCH IDEAS, DESIGNS, ARRANGEMENTS OR PLANS SHALL BE USED BY OR DISCLOSED TO ANY PERSON, FIRM OR CORPORATION FOR ANY PURPOSE WHATSOEVER WITHOUT THE WRITTEN PERMISSION OF HYPERPRO.



Inbouw handleiding

De bestaande link vervangen door de HYPERPRO verlagingslink, met de pijl bovenaan in de rijrichting. Gebruik de ringen om het verschil in dikte uit te vullen. Het achterwiel eerst belasten voordat de link vastgezet wordt.

Instruction manual

Replace the original link by the HYPERPRO lowering link, with the arrow on the upper side, pointing in the riding direction. Use the washers to compensate the difference in thickness. Put some pressure on the rear wheel before tightening the link.

See WWW.HYPERPRO.COM for more info about our products.