

HYPERPRO

LOWERING KIT / VERLAGINGSSET

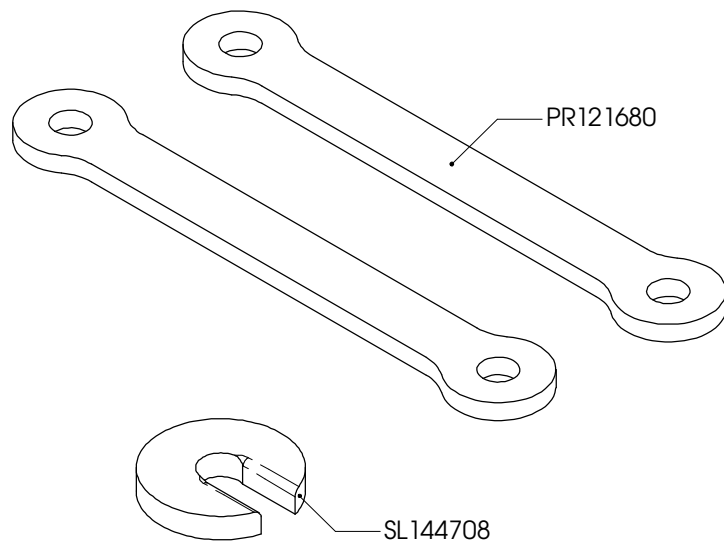
for

YAMAHA FJR 1300 Models '01-'05

LK-YA13-001-30 PART LIST

PR121680 - Pull rod/ trekstang	2
SL144708 - Stroke limiter/ slagbeperker	1
-	-
-	-

ALL IDEAS, DESIGNS, ARRANGEMENTS AND PLANS INDICATED OR REPRESENTED BY THIS DRAWING ARE OWNED BY HYPERPRO AND WERE CREATED, EVOLVED AND DEVELOPED FOR USE ON AND IN CONNECTION WITH THE SPECIFIC PROJECT. NONE SUCH IDEAS, DESIGNS, ARRANGEMENTS OR PLANS SHALL BE USED BY OR DISCLOSED TO ANY PERSON, FIRM OR CORPORATION FOR ANY PURPOSE WHATSOEVER WITHOUT THE WRITTEN PERMISSION OF HYPERPRO.



See WWW.HYPERPRO.COM for more info about our products.

Inbouw handleiding

VOORZIJD

De vorkpoten maximaal 7 mm door de bovenste kroonplaat heen steken. De veer-voorspanning minimaal zetten (tegen de klok in draaien).

ACHTERZIJD

De bestaande trekstangen vervangen door de HYPERPRO trekstangen. De slagbeperker onder het aanslagrubber van de achterschokbreker plaatsen. Het achterwiel eerst belasten voordat de link vastgezet word.

LET OP! DE LENGTE VAN DE ZIJSTANDAARD MOET 15-20mm INGEKORT WORDEN.

Instruction manual

FRONT

Mount the fork legs max 7 mm through the triple clamp. Turn the preload adjuster to minimum preload (counter clockwise).

REAR

Replace the original pull rods with the HYPERPRO lowering pull rods. Put the stroke limiter under the bump rubber of the rear shock. Put some pressure on the rear wheel before tightening the link.

WARNING! SHORTEN THE SIDE-STAND 15-20mm.

