

HYPERPRO

LOWERING KIT / VERLAGINGSSET

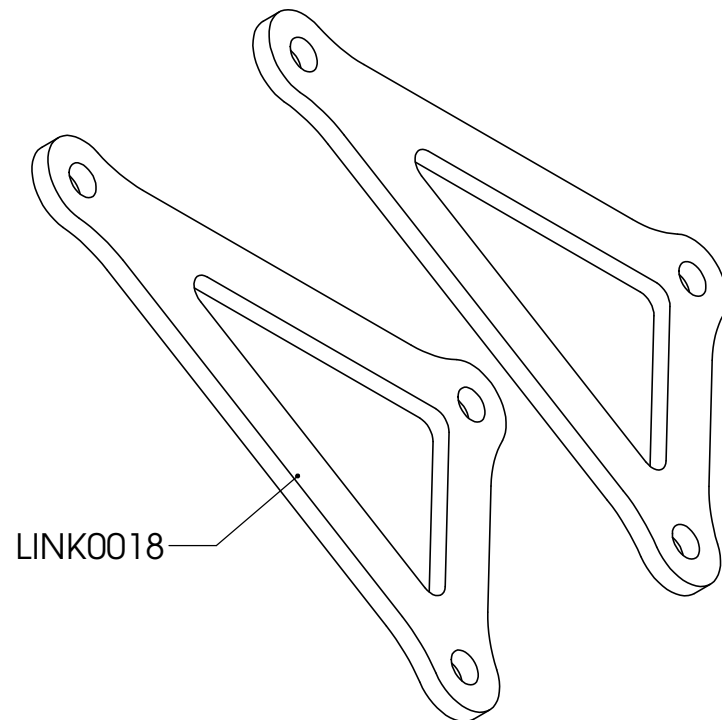
for

YAMAHA FZ-8 N/S (FAZER 8) 2011>
FZ-1 N/S (FAZER) '06-'09 & '10>

LK-YA10-008-30 PART LIST

LINK0018 - Lowering link/ verlagingslink	2
-	-
-	-
-	-

ALL IDEAS, DESIGNS ARRANGEMENTS AND PLANS INDICATED OR REPRESENTED BY THIS DRAWING ARE OWNED BY HYPERPRO AND WERE CREATED, EVOLVED AND DEVELOPED FOR USE ON AND IN CONNECTION WITH THE SPECIFIC PROJECT. NONE SUCH IDEAS, DESIGNS, ARRANGEMENTS OR PLANS SHALL BE USED BY OR DISCLOSED TO ANY PERSON, FIRM OR CORPORATION FOR ANY PURPOSE WHATSOEVER WITHOUT THE WRITTEN PERMISSION OF HYPERPRO.



Inbouw handleiding

VOORZIJD

De vorkpoten maximaal 15 mm door de bovenste kroonplaat heen steken.
De veervoorspanning minimaal zetten (tegen de klok in draaien).

ACHTERZIJD

De bestaande link vervangen door de HYPERPRO verlagingslink. Let er hierbij op dat de pijl BOVEN zit en in de rijrichting wijst. Gebruik borgmiddel op de moeren. Het achterwiel eerst belasten voordat de link vastgezet wordt.

LET OP! DE LENGTE VAN DE ZIJSTANDAARD MOET 20mm INGEKORT WORDEN.
AFTERMARKET SPATBORDEN KUNNEN NIET TOEGEPAST WORDEN.

Instruction manual

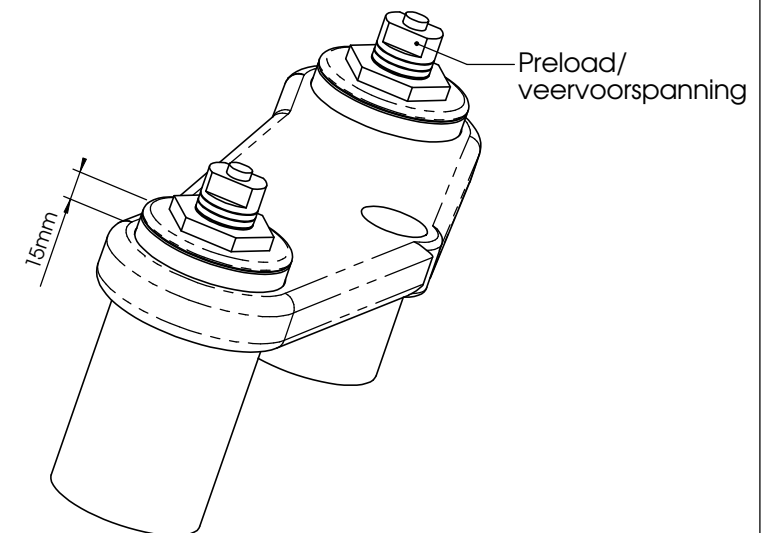
FRONT

Mount the fork legs max 15mm through the triple clamp.
Turn the preload adjuster to minimum preload (counter clockwise).

REAR

Replace the original link by the HYPERPRO lowering link. Make sure that the arrow is on TOP and points in the riding direction. Use threadlock compound on the nuts. Put some pressure on the rear wheel before tightening the link.

WARNING! SHORTEN THE SIDE-STAND 20mm.
AFTERMARKET MUDGUARDS CAN NO LONGER BE USED.



See WWW.HYPERPRO.COM for more info about our products.