

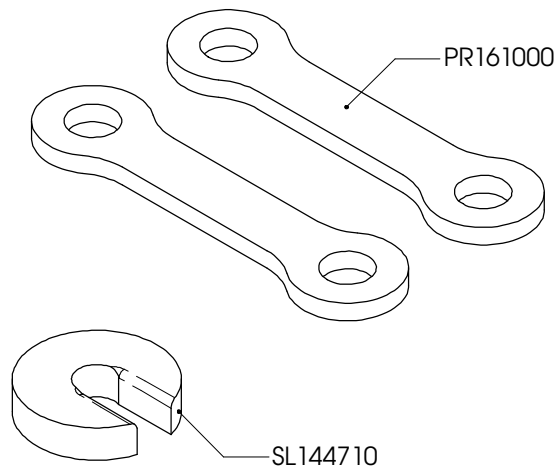
HYPERPRO

LOWERING KIT / VERLAGINGSSET for YAMAHA XT660R Models '04>

LK-YA06-007-30 PART LIST

PR161000 - Pull rod/ trekstang	2
SL144710 - Stroke limiter/ slagbeperker	1
-	-
-	-

ALL IDEAS, DESIGNS, ARRANGEMENTS AND PLANS INDICATED OR REPRESENTED BY THIS DRAWING ARE OWNED BY HYPERPRO AND WERE CREATED, EVOLVED AND DEVELOPED FOR USE ON AND IN CONNECTION WITH THE SPECIFIC PROJECT. NONE SUCH IDEAS, DESIGNS, ARRANGEMENTS OR PLANS SHALL BE USED BY OR DISCLOSED TO ANY PERSON, FIRM OR CORPORATION FOR ANY PURPOSE WHATSOEVER WITHOUT THE WRITTEN PERMISSION OF HYPERPRO.



Inbouw handleiding

VOORZIJDE

De vorkpoten maximaal 25mm door de bovenste kroonplaat heen steken.

ACHTERZIJDE

De bestaande link vervangen door de HYPERPRO verlagingslink.
De slagbeperker boven op het aanslagrubber van de schokbreker plaatsen.
Het achterwiel eerst belasten voordat de link vastgezet word.

LET OP! DE LENGTE VAN DE ZIJSTANDAARD MOET 20-25mm INGEKORT WORDEN.

Instruction manual

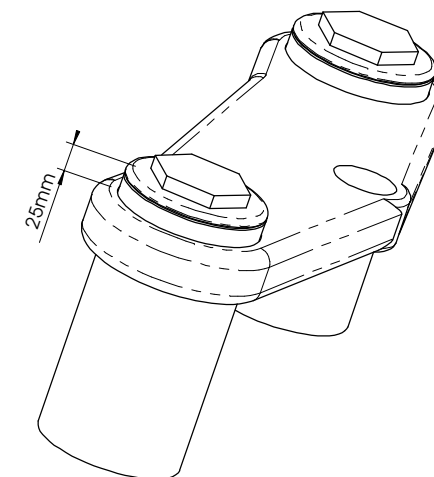
FRONT

Mount the fork legs max 25mm through the triple clamp.

REAR

Replace the original link by the HYPERPRO lowering link.
Put the stroke limiter on top of the bump rubber of the shock.
Put some pressure on the rear wheel before tightening the link.

WARNING! SHORTEN THE SIDE-STAND 20-25mm.



See WWW.HYPERPRO.COM for more info about our products.